

2725 Series

Power-saving Type

Model name

2725Z Frequency stability of $\pm 30 \times 10^{-6}$.

Application

- For compact mobile information equipment, such as DVC, DSC, notebook PC, and PDA

Features

- A power saving-type crystal oscillator, capable of being driven by a 1.8 V. power supply.
- Consumption current during standby is 3 μ A or less.
- Automatic mounting by taping and IR reflow (lead-free) are possible.
- Lead-free
- Compact and light with the following dimensions and weight of 5.0 x 3.2 mm, 1.0 mm, and 0.06 g.

Pb Free

RoHS Compliant
Directive 2002/95/EC

Absolute maximum rating
Power supply voltage (V_{DD}) -0.5 to +7.0V DC
Storage temperature range -55 to +125°C

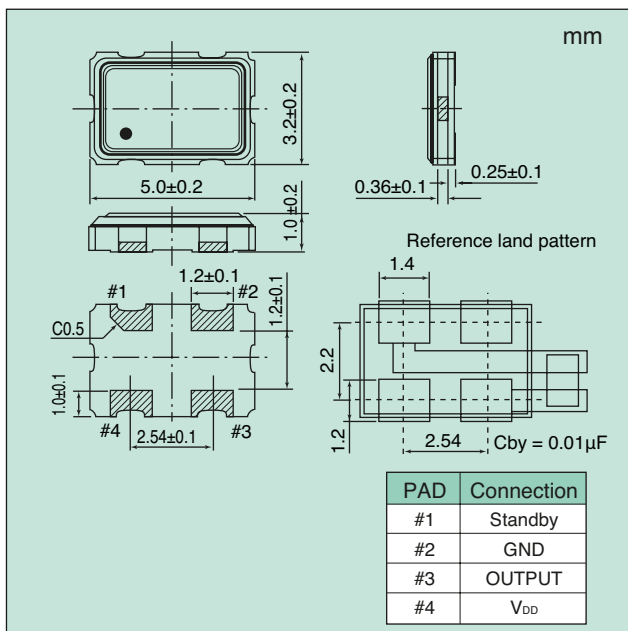


Specifications

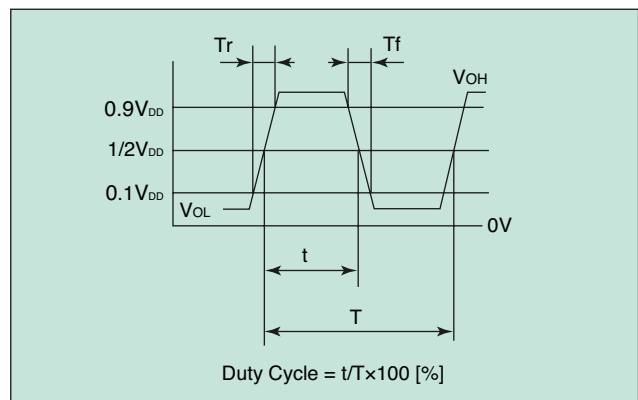
Item	Model	2725Z
Output level		C-MOS
Frequency range ^{*1}	(MHz)	2.5 to 40
Operating temperature range ^{*2}	(°C)	-10 to +60
Frequency stability	($\times 10^{-6}$)	± 30
Power supply voltage	(V)	+1.8 \pm 0.1
Consumption current (+1.8V, 25°C) max	During operation	2 (1mA TYP.)
	During standby	3
V_{OL} max/ V_{OH} min	(V)	0.1 V_{DD} /0.9 V_{DD} I_{OL} =2mA I_{OH} =-2mA
T_r max/ T_f max	(ns)	6/6 (0.1 V_{DD} to 0.9 V_{DD})
Duty Cycle min. to max.	(%)	40 to 60 (at 1/2 V_{DD})
Load (C_L) max	(pF)	5
Oscillation start time max	(ms)	10
Standby function		Available (tristate)
Number for specifying an order		NSA6297C

*1: If you require a product with a frequency not given above, please contact us. *2: If you require a product with an operating temperature range not given above, please contact us.

Dimensions



Output Waveform <C-MOS>



Standby Function

#1 Input	#3 Output
Level H ($0.7 V_{DD} \leq V_{IH} \leq V_{DD}$) or OPEN is selected.	Oscillation output ON
Level L ($V_{IL} \leq 0.3 V_{DD}$) is selected.	High impedance

How to Specify an Order

When ordering our products, specify them with an "Ordering Code" that consists of the following:

Model name - Frequency (up to 9 digits) M - Number for specifying an order

If you have any queries concerning our standard frequencies and numbers for specifying orders, please contact our sales representatives or visit our homepage (<http://www.ndk.com/>).

Example 1: When ordering a product with model name: 2725Z, frequency: 20 MHz, frequency stability: $\pm 30 \times 10^{-6}$, and power supply voltage: 1.8 V
Ordering Code: 2725Z - 20.000000M - NSA6297C