

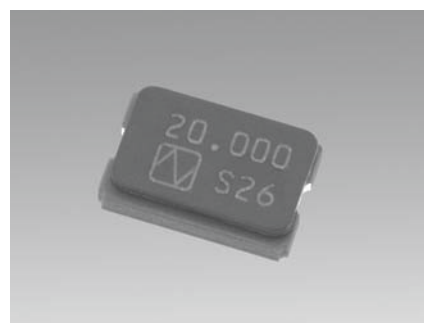
NX5032GA

For Car Electronics

■ Features

A small surface-mount type crystal unit, ideal for car electronics applications.
Compatible with low frequencies starting from 8MHz.

- Compact and thin. (5.0 × 3.2 × 1.3mm typ.)
- Stable start-up characteristic even under extremely severe environmental conditions.
- Excellent environmental characteristics, including heat, vibration and shock resistance.
- Lead-free. Meets the requirements for re-flow profiling using lead-free solder.
- Conforms to AEC-Q200.



RoHS Compliant
Directive 2002/95/EC

■ Specifications

Item	Model	NX5032GA
Frequency Range		8 to 40MHz
Overtone Order		Fundamental
Frequency Tolerance (25 ±3°C)		±50 × 10 ⁻⁶
Temperature Characteristics (with reference to +25°C)		±150 × 10 ⁻⁶
Operating Temperature Range		-40 to +150°C
Equivalent Series Resistance		Refer to *1
Drive Level		10μW(Max:500μW)
Load Capacitance		8pF

The above specifications are standard for this NDK product.

Custom-made specifications such as load capacitance and temperature characteristics are also available.

Please contact NDK sales with your enquiries.

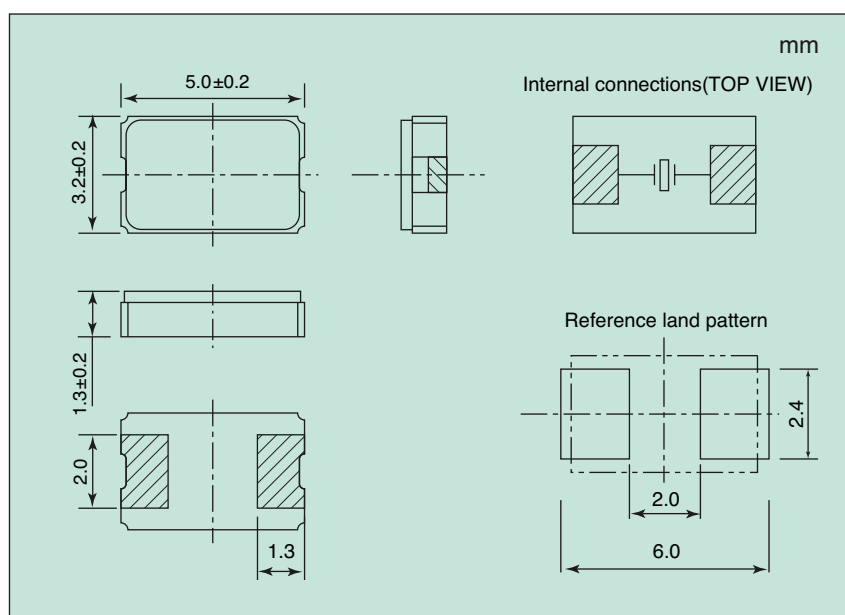
■ How to Specify an Order

When ordering our products, specify them with an "Ordering Code" that consists of the following :

Model name - Frequency (Max : 9 digits) M - Number for specifying an order Example NX5032GA-8.000M-STD-CSU-1

If you have any queries concerning our standard frequencies and numbers for specifying orders, please contact our sales representatives or visit our homepage (<http://www.ndk.com/>).

■ Dimensions



*1 Equivalent Series Resistance

Frequency (MHz) (Range)	Equivalent Series Resistance max.[Ω]
8 to 9.5	300
9.5 to 10	220
10 to 15	150
15 to 20	120
20 to 24	100
24 to 30	80
30 to 40	50