



Crystal Bridge to the Future

日本電波工業株式会社

東京都渋谷区笹塚1-50-1

笹塚NAビル

お客様問い合わせ窓口

TEL : 03-5453-6751

FAX : 03-5453-6756

E-Mail : callct@ndk.com

<http://www.ndk.com/>

OCXO 9325D - VHF LOW NOISE CRYSTAL OSCILLATORS

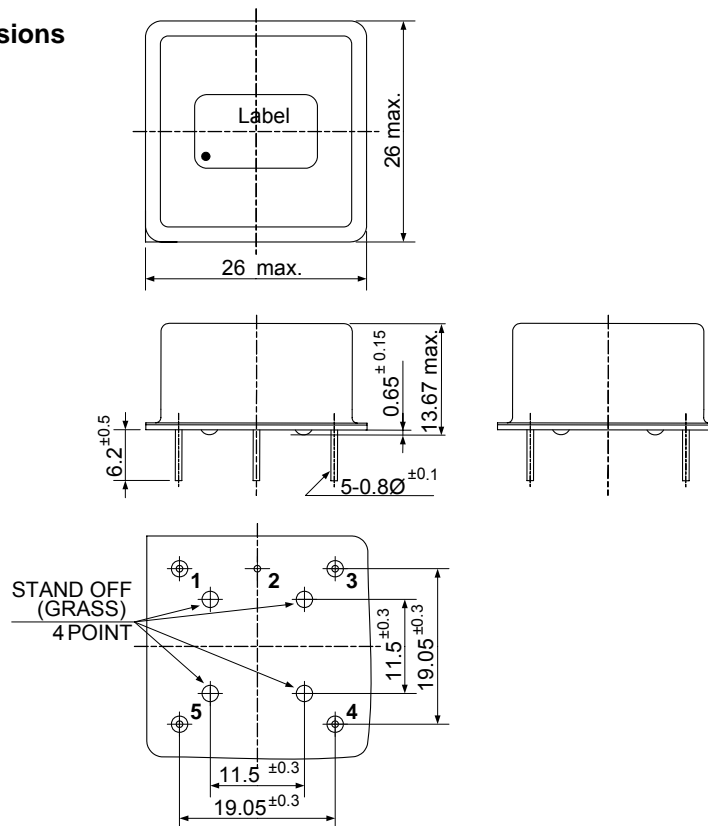


RoHS Compliant
Directive 2002/95/EC

NDK OCXO 9325D is designed to meet the increasing demand for high performance reference oscillators applicable to microwave low noise frequency synthesis. It has excellent temperature stability performance with low phase noise and minimal harmonic response. Our OCXOs, using SC-cut Crystals, produce secure and stable C-mode oscillation.

Nominal Frequency	Standard Frequencies : 100 MHz [contact us for other frequencies.]
Frequency Control Range	$\pm 3 \times 10^{-6}$
Control Voltage	0 to 10 V, positive slope
Frequency / Temperature Characteristics	-20 to 70 °C: $\pm 50 \times 10^{-9}$
Long-term frequency stability	$\pm 0.5 \times 10^{-6}$ after 30 days
Warm-up at 25 deg.C 5 minutes after power on	Max. +/- 50×10^{-9}
Output Level	Min. 3 dBm, 50Ω
Harmonics	-60 dBc
Phase noise	100 Hz: -125 dBc/Hz 1 kHz: -150 dBc/Hz >10k Hz: -160 dBc/Hz
Supply Voltage	+12 V DC $\pm 5\%$
Power Consumption at 25°C	1.3W after 90 seconds, 3W during warm up

Dimensions



[unit in mm]

Pin connections

1	OUTPUT
2	GND
3	VCONT
4	NC
5	VCC

Terminal number is not printed

Note) Specifications described in this brochure are subject to change without notice for improvement.

© Copyright 2006 NIHON DEMPA KOGYO CO.,LTD. (NDK). All right reserved. The NDK logo is trademark of NDK. The information in this document is believed to be reliable, however, NDK makes no guarantee or warranty concerning the accuracy of said information and shall not be responsible for any loss or damage of what ever nature resulting from the use of, or reliance upon it.