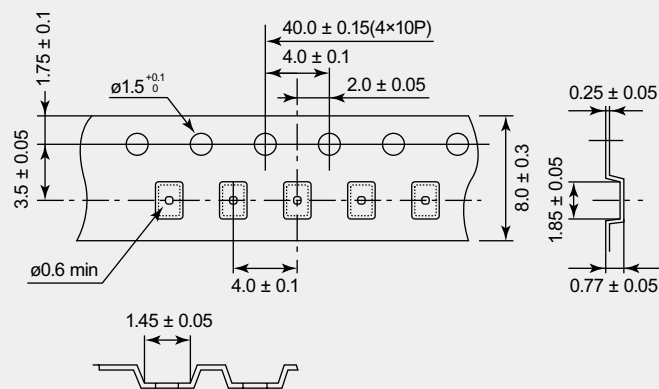


## ■ Packing with Tape

The packing with tape shown below is standard for NT1612S.  
 Two thousand pieces per reel are boxed and shipped as shown below.  
 However, tray packing is used for the shipment of a small order, sample, etc.

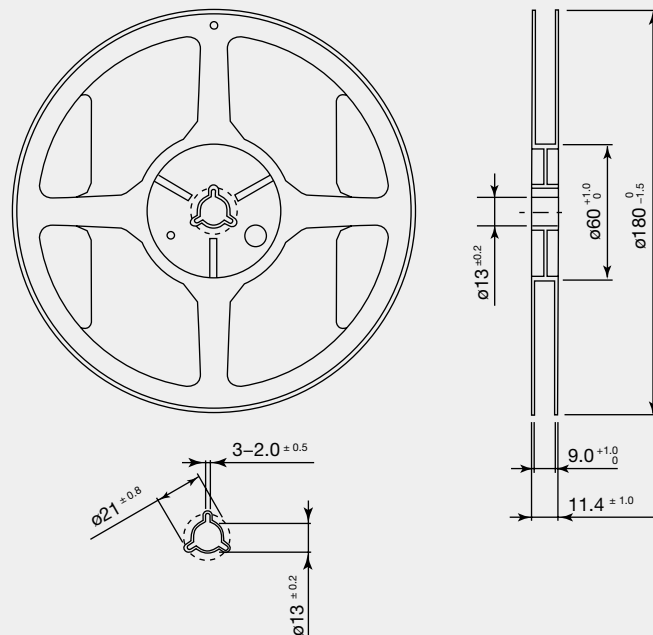
### ■ Tape

mm



### ■ Reel

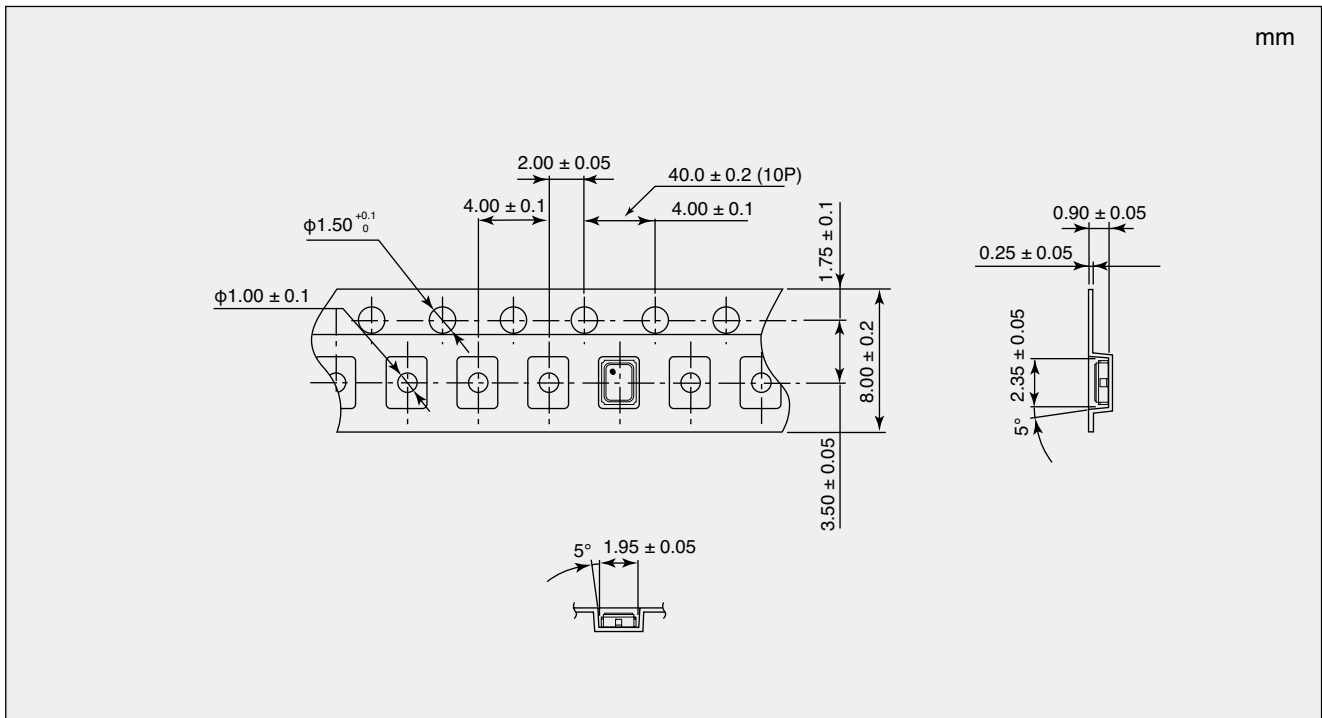
mm



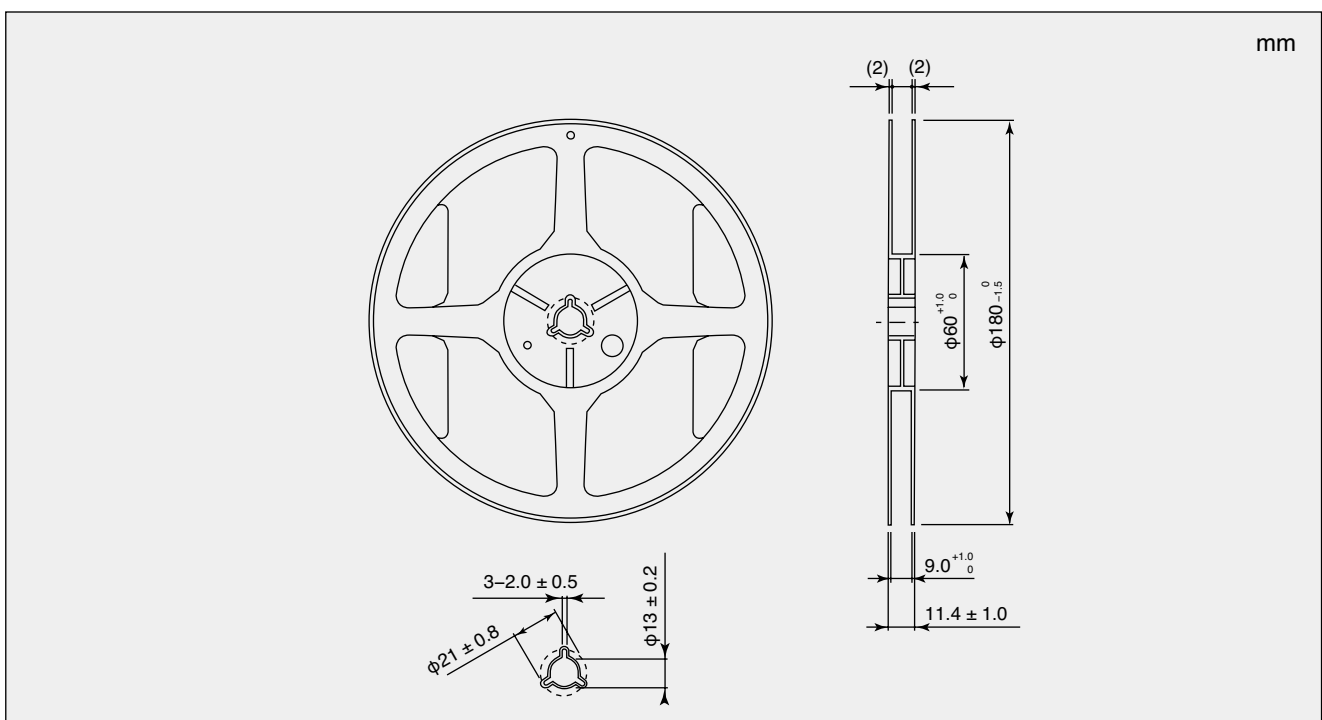
## ■ Packing with Tape

The packing with tape shown below is standard for NT2016S.  
 Two thousand pieces per reel are boxed and shipped as shown below.  
 However, tray packing is used for the shipment of a small order, sample, etc.

### ■ Tape



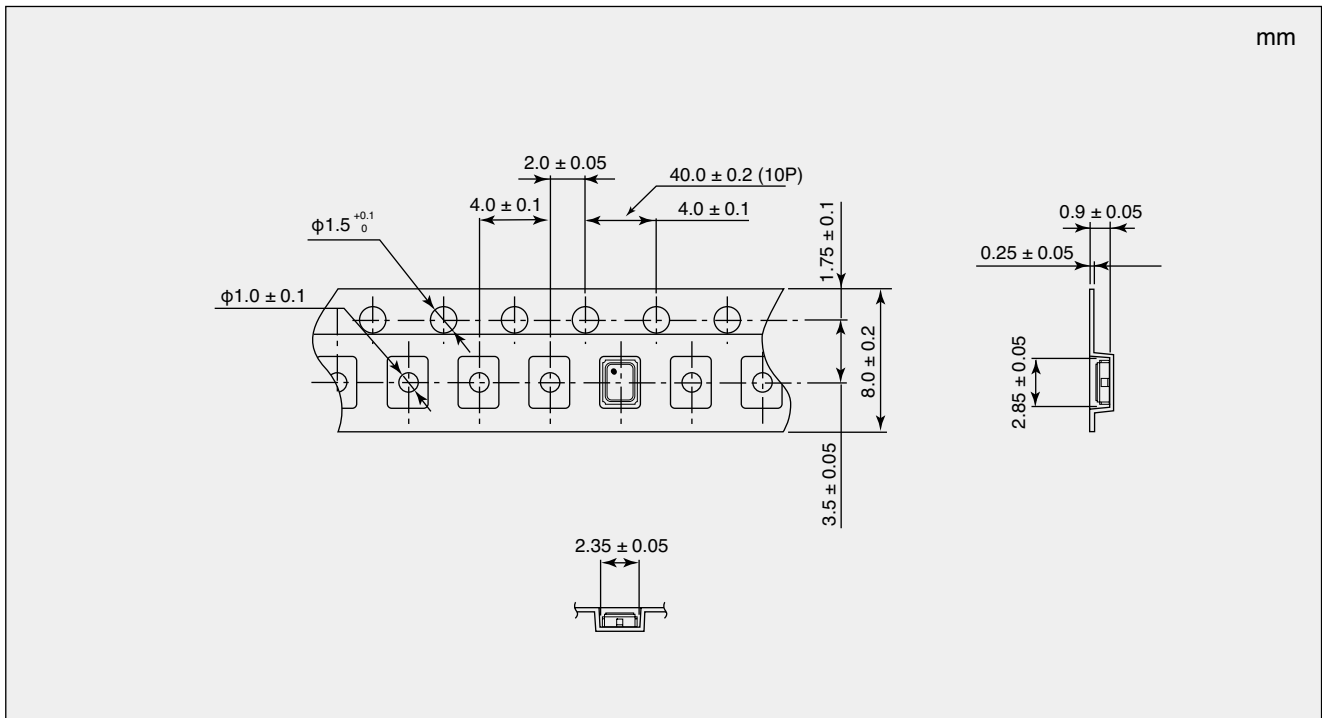
### ■ Reel



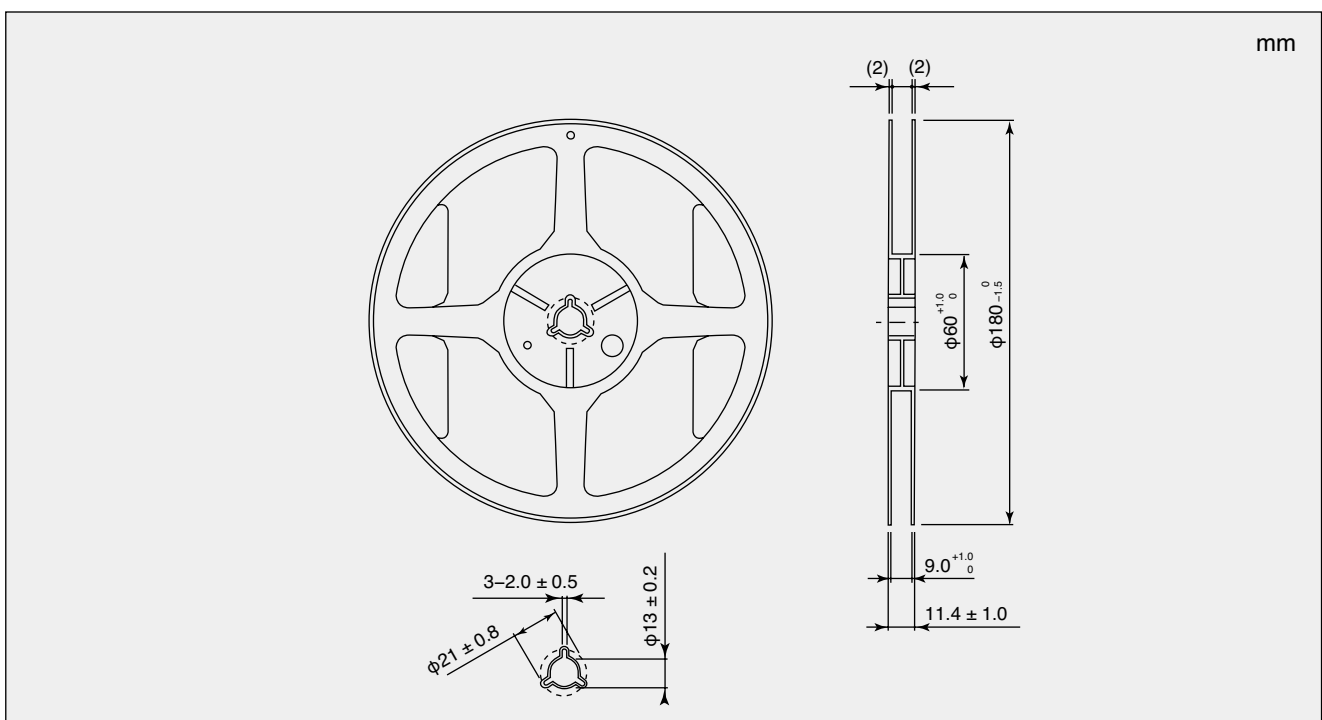
## ■ Packing with Tape

The packing with tape shown below is standard for NT2520S.  
 Two thousand pieces per reel are boxed and shipped as shown below.  
 However, tray packing is used for the shipment of a small order, sample, etc.

### ■ Tape



### ■ Reel



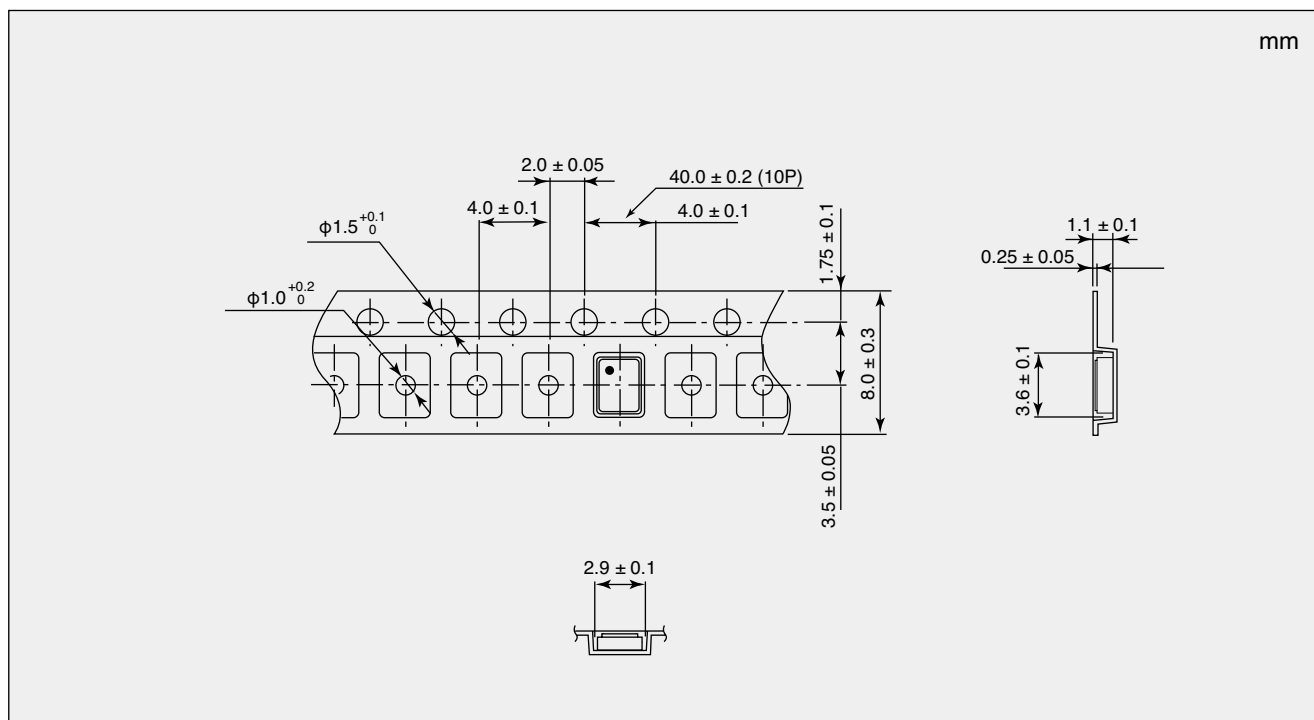
## ■ Packing with Tape

The packing with tape shown below is standard for NT3225S.

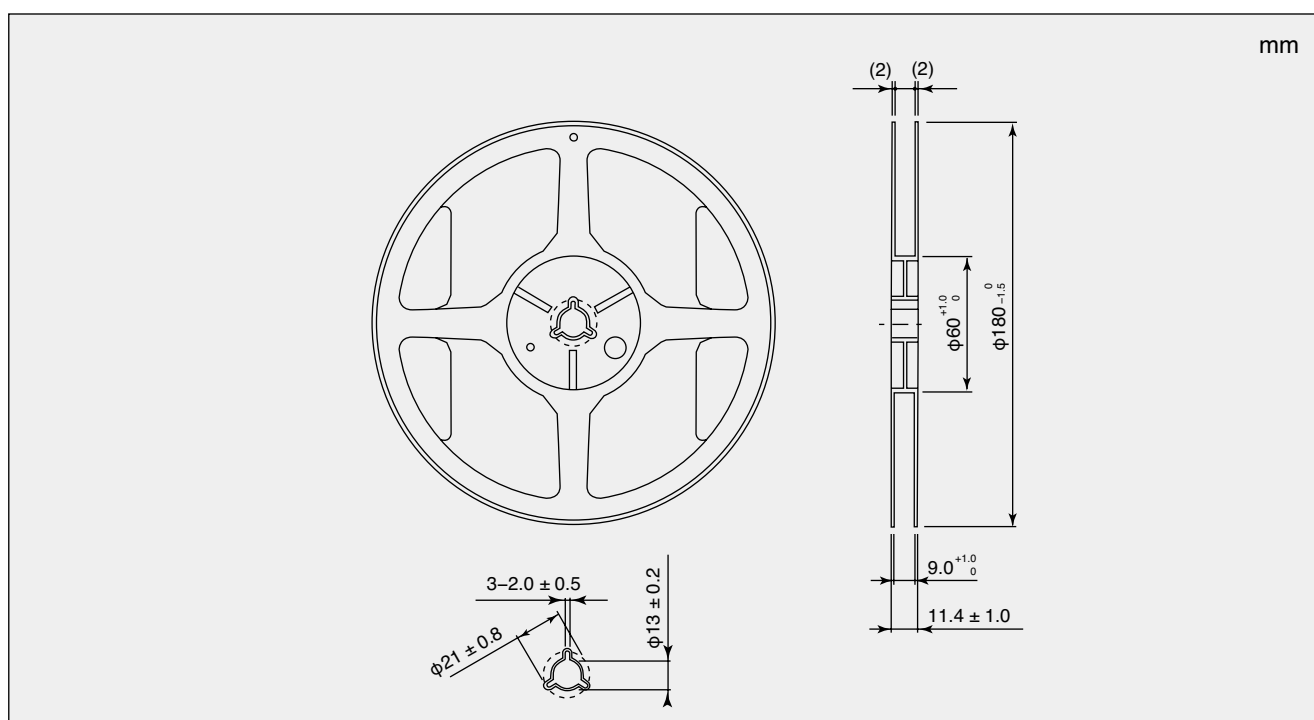
Two thousand pieces per reel are boxed and shipped as shown below.

However, tray packing is used for the shipment of a small order, sample, etc.

### ■ Tape



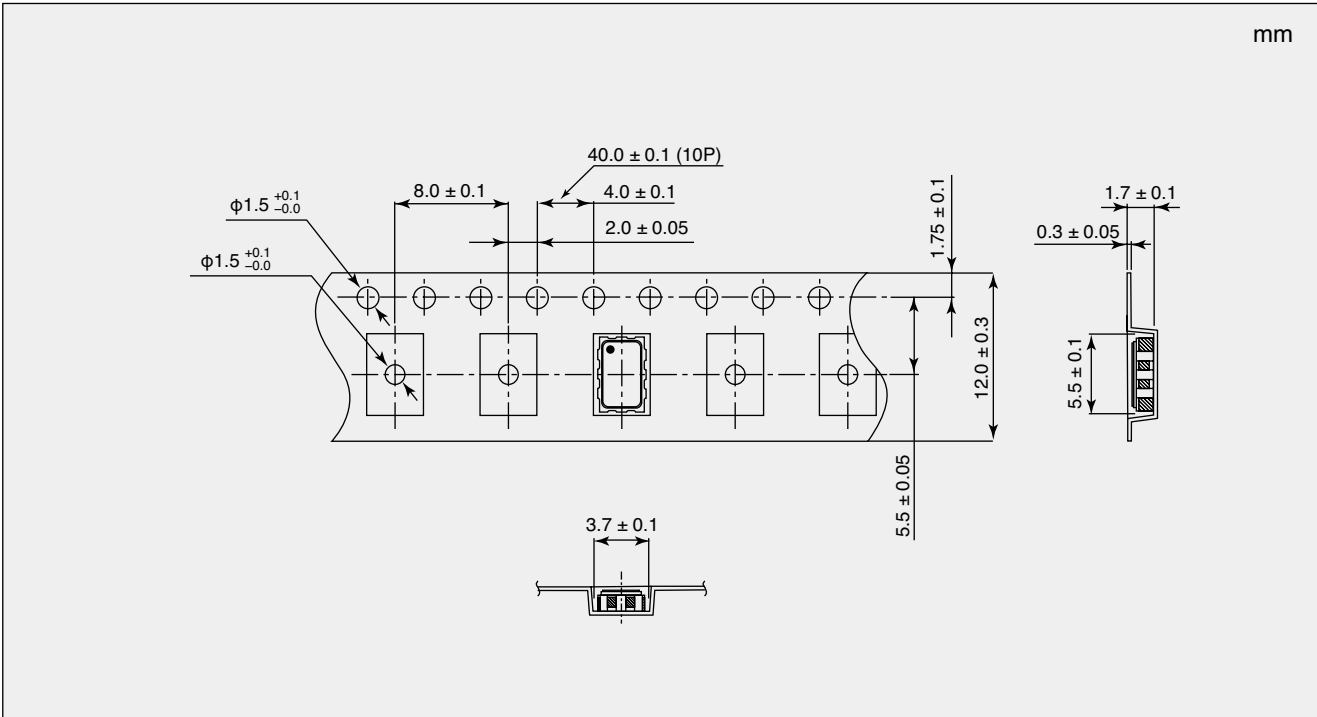
### ■ Reel



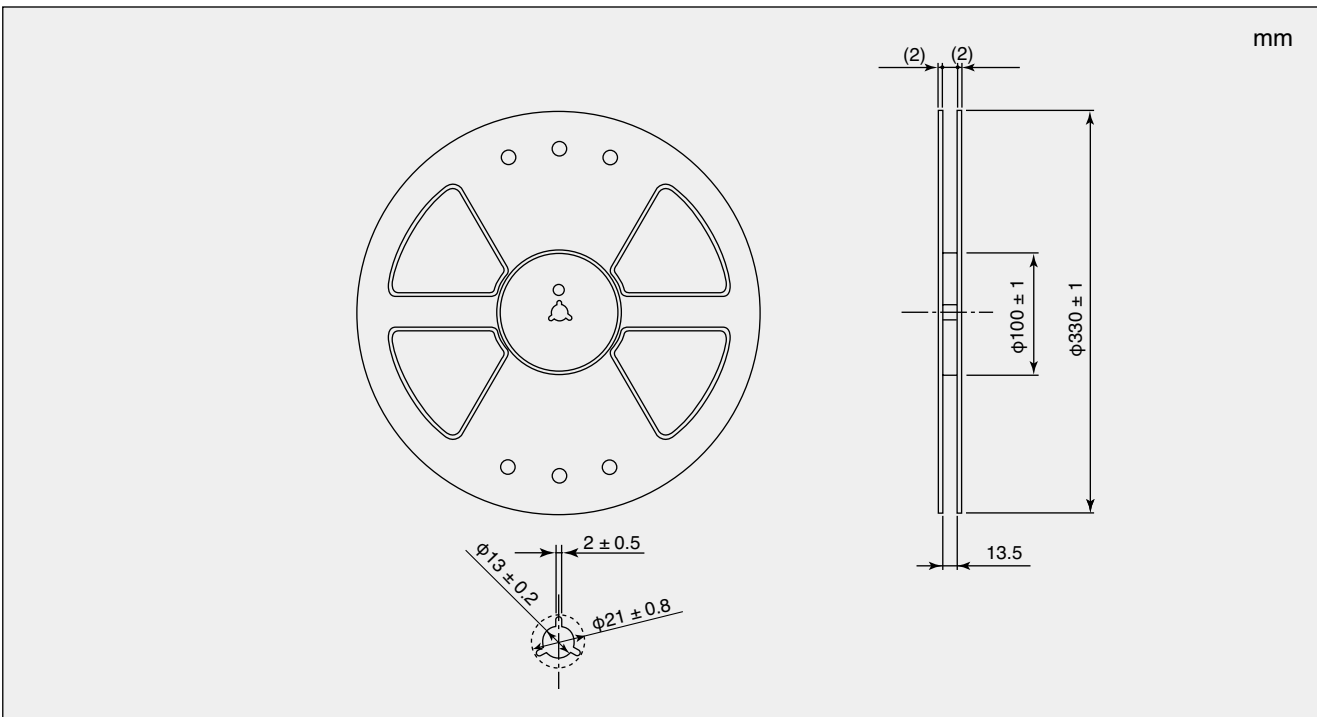
## ■ Packing with Tape

The packing with tape shown below is standard for NT5032S.  
 Two thousand pieces per reel are boxed and shipped as shown below.  
 However, tray packing is used for the shipment of a small order, sample, etc.

## ■ Tape



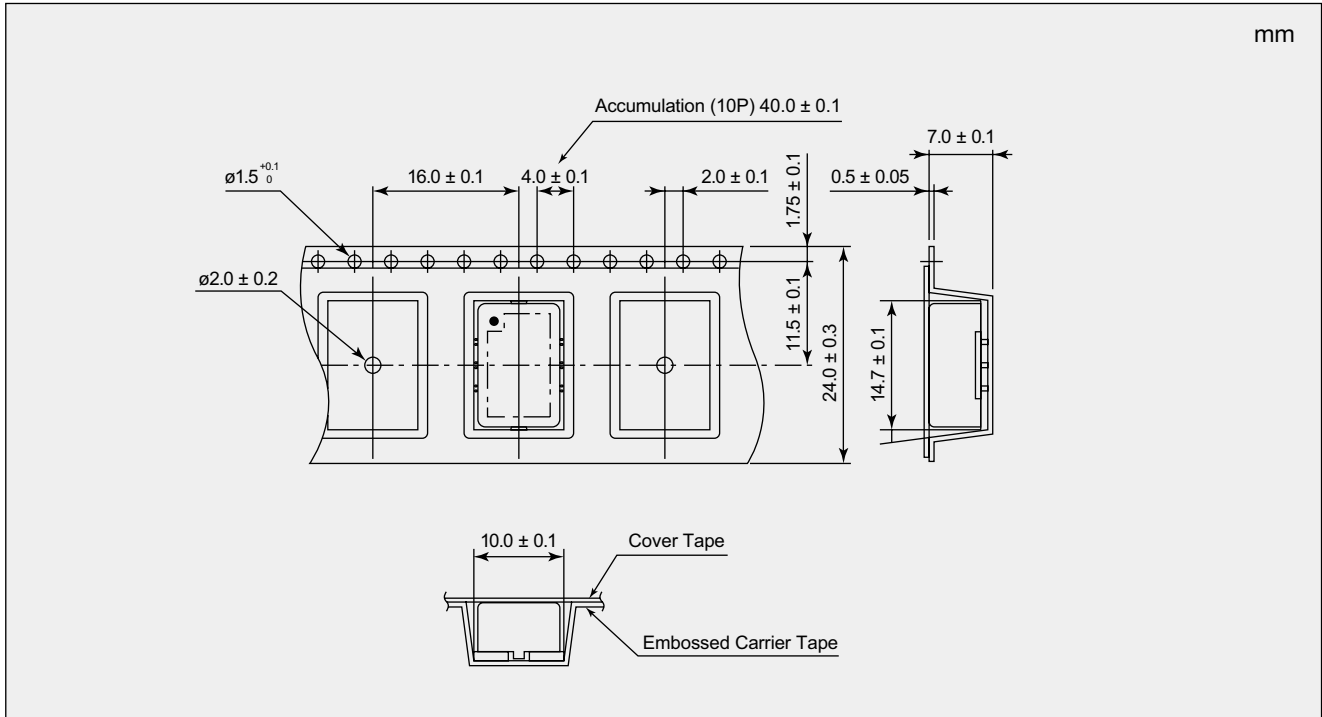
## ■ Reel



## ■ Packing with Tape

Example of packing the SMD package products of OCXO (model name: NH14M09WA).  
 The packing with tape shown below is standard.  
 500 pieces per reel are boxed and shipped as shown below.

### ■ Tape



### ■ Reel

