

NT2016SJB

Temperature Compensated Crystal Oscillator(TCXO)
with ultra-low phase noise characteristics and E/D function for high-precision Audio

Main Application

High-precision Audio

Features

- 44.1kHz (CD) and 48kHz (PC-Audio) systems are supported.
- It has a small size, improved frequency temperature characteristics, and low phase noise characteristics. (-165dBc/Hz@100kHz offset, 24.576MHz)
- Ultra-compact and light with a height, cubic volume, and weight of Max. 0.8 mm, 0.0022 cm³, and 0.008 g, respectively.
- With an Enable/Disable (Stand-by) function.
- A surface-mount crystal oscillator. (Reflow soldering is possible.)
- Lead-free. Meets the requirements for re-flow profiling using lead-free solder.



Pb Free

RoHS Compliant
Directive 2011/65/EU
Directive (EU) 2015/863

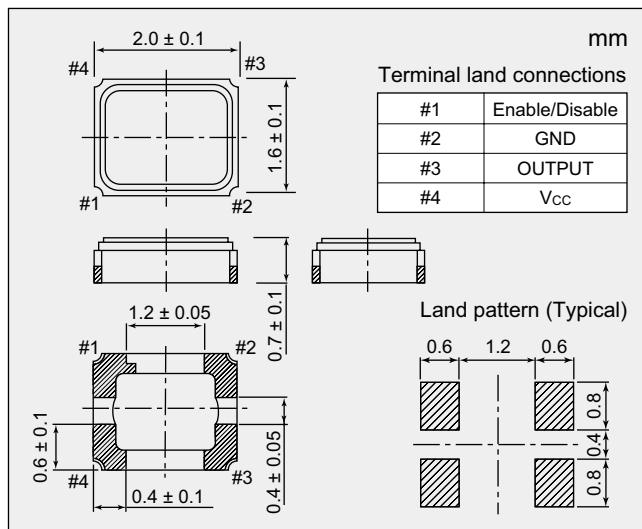
Specifications

Item	Model	NT2016SJB	
Standard Frequency (MHz)		22.5792, 24.576	45.1584, 49.152
Supply Voltage [V _{CC}] (V)		+1.8	
Load Impedance		10 kΩ//10 pF	
Current Consumption	Enable (mA)	Max. 2.5	Max. 3.0
	Disable (μA)	Max. 4.0	
Output Voltage		Min. 0.8 V(p-p) (DC Coupling *1)	
Frequency/Temperature Characteristics		Max. ±0.5×10 ⁻⁶	
Operating Temperature Range (°C)		-30 to +85	
Storage Temperature Range (°C)		-40 to +85	
Frequency/Voltage Coefficient		Max. ±0.1×10 ⁻⁶ /+1.8 V±5 %	
Frequency/Load Coefficient		Max. ±0.1×10 ⁻⁶ /(10 kΩ//10 pF) ±10 %	
Long-term Frequency Stability		Max. ±1.0×10 ⁻⁶ /year	
Enable/Disable Function		Enable : 80%V _{CC} to V _{CC} ,	Disable : 0V to 20%V _{CC}
Specification Number		NSC5270A	NSC5270B

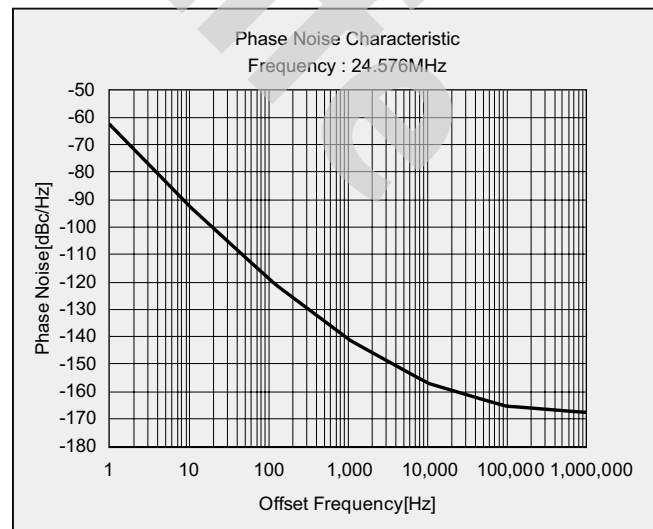
* Frequency setting conditions : Frequencies are set at normal temperatures (+25±2 °C).

*1. A DC-cut capacitor is not embedded in this crystal oscillator. Connect a DC-cut capacitor (1,000 pF) to the line-out terminal of the oscillator.

Dimensions



Phase noise characteristics



Please specify the model name, frequency, and specification number when you order products.
For further questions regarding specifications, please feel free to contact us.