

Crystal Clock Oscillator

NZ3225SF

Ultralow Power Type

Application

- For Portable equipment (ex. Mobile Phone, Digital Media Player, PND, Notebook PC, etc)

Features

- Ultralow power-driven (Min. +0.8V) crystal clock oscillator, ideal for mobile devices.
- Compact and light. Dimensions : 3.2 x 2.5 x 0.9 mm, weight : 0.02 g.
- Taped units enable automatic mounting and IR Reflow (lead free) is possible.
- Lead-free.



Pb Free

RoHS Compliant
Directive 2011/65/EU
Directive (EU) 2015/863

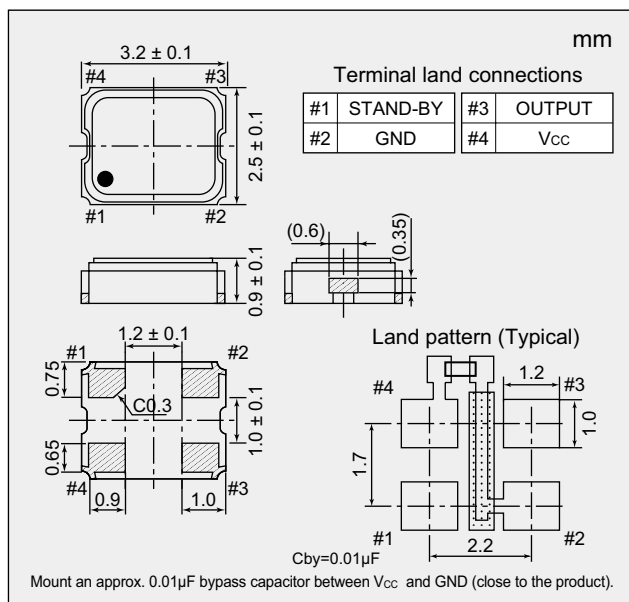
Absolute maximum rating
Supply Voltage (V_{CC}) -0.5 to +4.0 V
Storage Temperature Range -55 to +125 °C

End of Life
Mar-2021

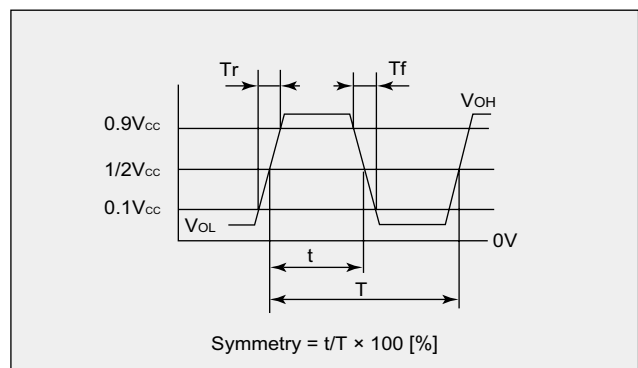
Specifications

Item	Model	NZ3225SF		
Output Specification		CMOS		
Nominal Frequency Range	(MHz)	1.5 ≤ F ≤ 50		
Overall Frequency Tolerance	(×10 ⁻⁶)	±50	±30	
Operating Temperature Range	(°C)	-40 to +85	-10 to +70	
Supply Voltage	(V)	+0.9 to +1.5		
Current Consumption Max.	During Operation	+25 °C	(mA)	1.5 to 6.0
	During Standby	+25 °C	(μA)	100
V _{OL} Max. / V _{OH} Min.	(V)	0.1 V _{CC} /0.9 V _{CC}		
Tr Max. / Tf Max.	(ns)	5/5		
Symmetry Min. to Max.	(%)	45 to 55		
Load (C _L) Max.	(pF)	15		
Start-up Time Max.	(ms)	4		
Standby function		Available (Three-state)		

Dimensions



Output Waveform <CMOS>



Standby Function

#1 Input	#3 Output
Level H ($0.7 V_{CC} \leq V_{IH} \leq V_{CC}$) or OPEN is selected.	Oscillation output ON
Level L ($V_{IL} \leq 0.3 V_{CC}$) is selected.	High impedance

Crystal Clock Oscillator



NZ3225SF

Ultralow Power Type

■ Specification Number

Overall Frequency Tolerance	Operating Temperature Range(°C)	Supply Voltage (V)		
		+0.9±0.1	+1.2±0.1	+1.5±0.1
±50×10 ⁻⁶	-40 to +85	NSC5037A	NSC5037B	NSC5037C
±30×10 ⁻⁶	-10 to +70	NSC5039A	NSC5039B	NSC5039C

Please specify the model name, frequency, and specification number when you order products.
For further questions regarding specifications, please feel free to contact us.

End of Life
Mar-2021