

Crystal Clock Oscillator

NZ3225SH

Standard Type (32.768kHz)

Application

For Smartphone and Tablet computer etc

Features

- Compact and light. Dimensions : 3.2 x 2.5 x 0.9 mm, weight : 0.02 g.
- Quick oscillation start up time(Typ. 1ms) is available compared to our Tuning Fork Crystal.



Pb Free

RoHS Compliant
Directive 2011/65/EU
Directive (EU) 2015/863

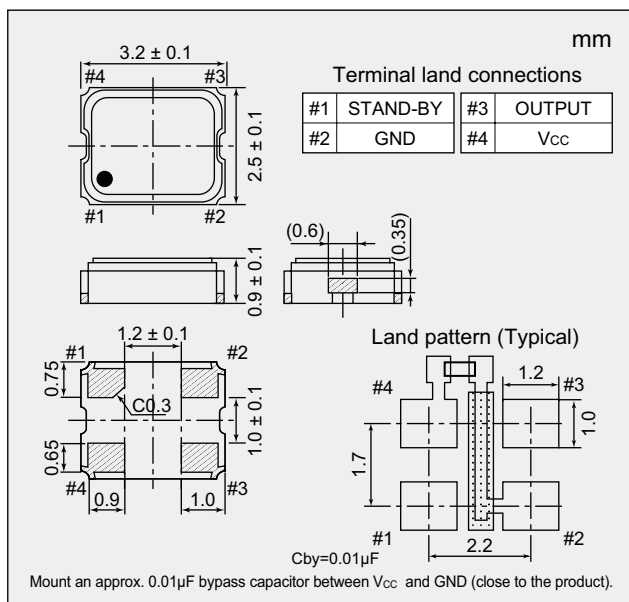
Absolute maximum rating
Supply Voltage (V_{CC}) -0.3 to +7.0 V
Storage Temperature Range -55 to +125 °C

End of Life
Mar-2021

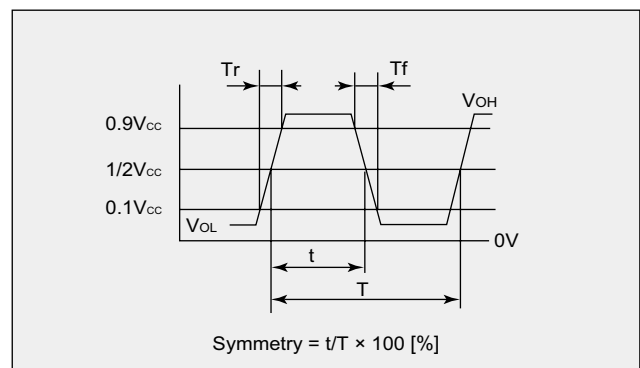
Specifications

| Item | Model | NZ3225SH | | |
|---|----------------------|--|------------|------------|
| Output Specification | | CMOS | | |
| Nominal Frequency | (kHz) | 32.768 | | |
| Overall Frequency Tolerance | ($\times 10^{-6}$) | ± 30 | | |
| Operating Temperature Range | (°C) | -40 to +85 | | |
| Supply Voltage (V _{CC}) | (V) | +1.8 to +3.3 | | |
| Current Consumption Max. | During Operation | +25°C | (μ A) | 160 to 180 |
| | During Standby | +25°C | (μ A) | 20 |
| V _{OL} Max. / V _{OH} Min. | (V) | 0.1 V _{CC} / 0.9 V _{CC} | | |
| Tr Max. / Tf Max. | (ns) | 200 / 200 (at 0.1V _{CC} to 0.9V _{CC}) | | |
| Symmetry Min. to Max. | (%) | 45 to 55 (at 0.5V _{CC}) | | |
| Load (C _L) Max. | (pF) | 15 | | |
| Start-up Time Max. | (ms) | 4 (Typ. 1ms) | | |
| Frequency Aging Max. | ($\times 10^{-6}$) | ± 5 (+25°C, First year) | | |
| Standby function | | Available (Three-state) | | |

Dimensions



Output Waveform <CMOS>



Standby Function

| #1 Input | #3 Output |
|---|-----------------------|
| Level H ($0.7 V_{CC} \leq V_{IH} \leq V_{CC}$) or OPEN is selected. | Oscillation output ON |
| Level L ($V_{IL} \leq 0.3 V_{CC}$) is selected. | High impedance |

Crystal Clock Oscillator



NZ3225SH

Standard Type (32.768kHz)

■ Specification Number

| Overall Frequency Tolerance | Operating Temperature Range (°C) | Supply Voltage (V) | | | |
|-----------------------------|----------------------------------|--------------------|-----------|----------|-----------|
| | | +1.8±0.18 | +2.5±0.25 | +3.0±0.3 | +3.3±0.33 |
| ±30 × 10 ⁻⁶ | -40 to +85 | NSC5049A | NSC5049B | NSC5049C | NSC5049D |

Please specify the model name, frequency, and specification number when you order products.
For further questions regarding specifications, please feel free to contact us.

End of Life
Mar-2021