

Frequency Synthesizer

■ S510M804MB Data Sheet UHF Band Synthesizer

Application

- For Digital terrestrial broadcasting (ISDB-T)
- For Fixed Communication

Features

- Low-phase noise characteristic:
-53 dBc max.as the integration value
from 10 Hz to 1 MHz
- Wide frequency range: 510.292857 to 804.292857 MHz
- Highly stable signal source: $\pm 0.5 \times 10^{-6}$ max.
- Frequency setting is possible with a rotary switch (6 MHz step).
- Can be synchronized with an external reference signal (10MHz)



RoHS Compliant
Directive 2011/65/EU
Directive (EU) 2015/863

Pb free

1. Product : Frequency Synthesizer
2. Type : S510M804MB
3. Output Frequency : 510.292857 to 804.292857MHz
4. Specification Number : ECY10A-00009
5. Electrical Specification

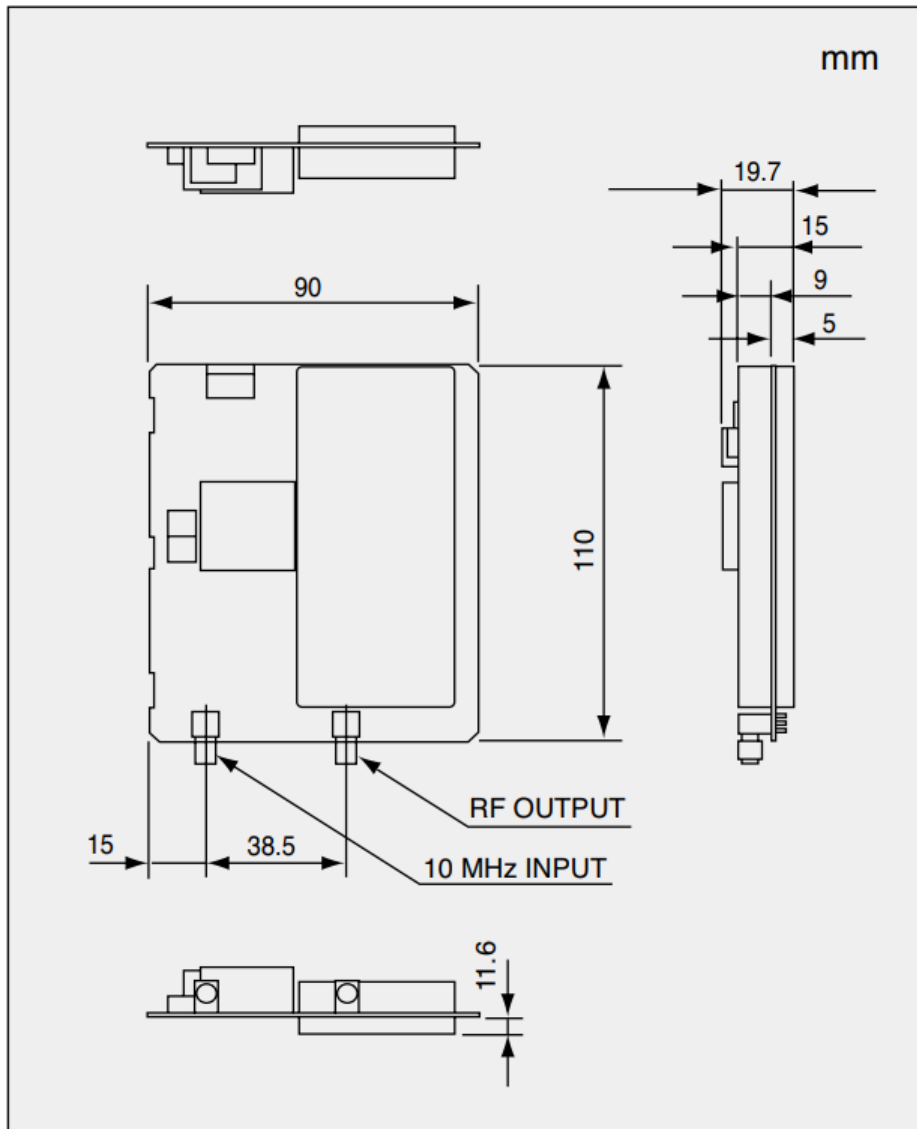
	Parameters	Symbol	Electrical Spec.				Remarks
			Min.	Typ.	Max.	Units	
1	Output frequency range	f_{out}	510.2928 57		804.2928 57	MHz	
2	Frequency setting resolution	-		6		MHz	
3	Frequency stability	-	-0.5		+0.5	ppm	
4	Aging characteristic	-	-0.5		+0.5	ppm/ year	*1
5	Phase noise characteristic	-		-95		dBc/Hz	at 100Hz
		-		-100		dBc/Hz	at 1kHz
		-			-55	dBc	Integrated 10Hz to 1MHz
6	Output Level	P_{out}	-3	0	+3	dBm	
7	Spurious (Harmonics)	-			-20	dBc	
8	Spurious (Non-harmonics)	-			-70	dBc	
9	External reference signal input frequency	f_{REF}	10MHz -20Hz	10MHz	10MHz +20Hz	-	Sine wave
10	External reference signal Input level	P_{REF}	-20	-10	0	dBm	
11	External reference signal phase noise	-			-120	dBc/Hz	at 10Hz
		-			-135	dBc/Hz	at 100Hz
		-			-145	dBc/Hz	at 1kHz
		-			-145	dBc/Hz	at 10kHz
14	Power Supply voltage	V_{cc}	+11.4	+12.0	+12.6	V	
15	Current consumption	I_{cc}			0.45	A	
16	Operating temperature range	T_{opr}	-20		+60	°C	
17	Frequency setting	Rotary switch					
18	External interface	RF interface : SMA-F connector (50Ω nominal) Control/power supply interface : DF11-12DP-2DS(manufactured by HIROSE ELECTRIC CO., LTD.)					

*1 Based on the frequency over 30 days

Dimension of External

Unit : mm

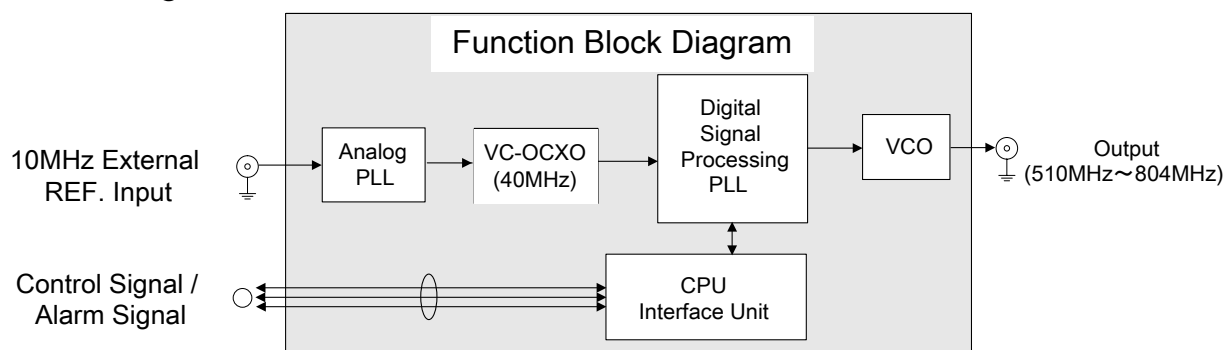
Tolerance : +/-0.4mm



Pin configuration (DF11-12DP-2DS) * IC:Inter-connection

No.	Connection
#1	GND
#2	IC
#3	PLL RESET INPUT
#4	REF ALARM OUTPUT
#5	IC
#6	IC
#7	IC
#8	UNLOCK ALARM OUTPUT
#9	RF LEVEL ALARM OUTPUT
#10	IC
#11	+12V
#12	GND

■ Block Diagram

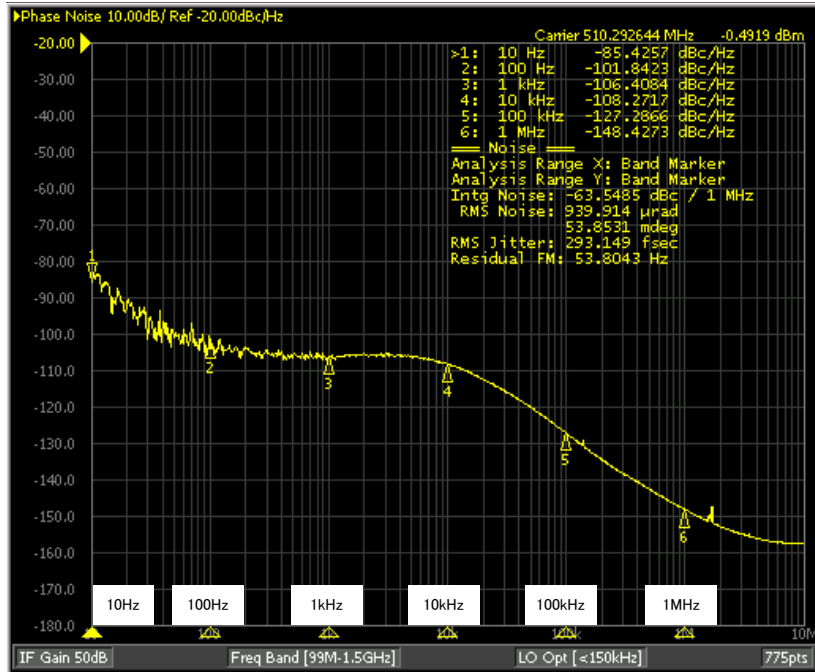


■ Frequency setting table

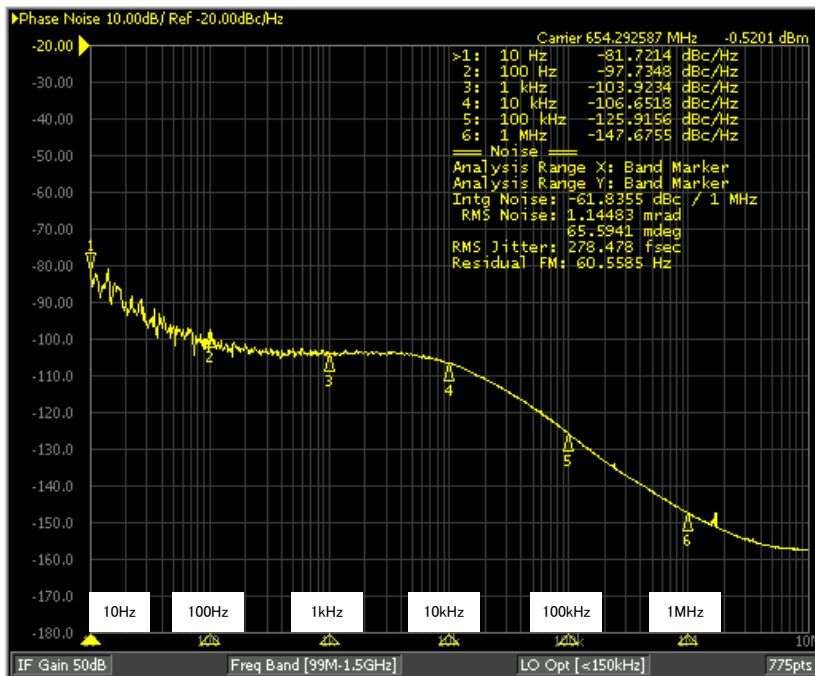
Channel number		Output frequency [MHz]	Channel number		Output frequency [MHz]
13	CH	510. 2928571	38	CH	660. 2928571
14	CH	516. 2928571	39	CH	666. 2928571
15	CH	522. 2928571	40	CH	672. 2928571
16	CH	528. 2928571	41	CH	678. 2928571
17	CH	534. 2928571	42	CH	684. 2928571
18	CH	540. 2928571	43	CH	690. 2928571
19	CH	546. 2928571	44	CH	696. 2928571
20	CH	552. 2928571	45	CH	702. 2928571
21	CH	558. 2928571	46	CH	708. 2928571
22	CH	564. 2928571	47	CH	714. 2928571
23	CH	570. 2928571	48	CH	720. 2928571
24	CH	576. 2928571	49	CH	726. 2928571
25	CH	582. 2928571	50	CH	732. 2928571
26	CH	588. 2928571	51	CH	738. 2928571
27	CH	594. 2928571	52	CH	744. 2928571
28	CH	600. 2928571	53	CH	750. 2928571
29	CH	606. 2928571	54	CH	756. 2928571
30	CH	612. 2928571	55	CH	762. 2928571
31	CH	618. 2928571	56	CH	768. 2928571
32	CH	624. 2928571	57	CH	774. 2928571
33	CH	630. 2928571	58	CH	780. 2928571
34	CH	636. 2928571	59	CH	786. 2928571
35	CH	642. 2928571	60	CH	792. 2928571
36	CH	648. 2928571	61	CH	798. 2928571
37	CH	654. 2928571	62	CH	804. 2928571

■ Data

Phase Noise(Ta=25°C)

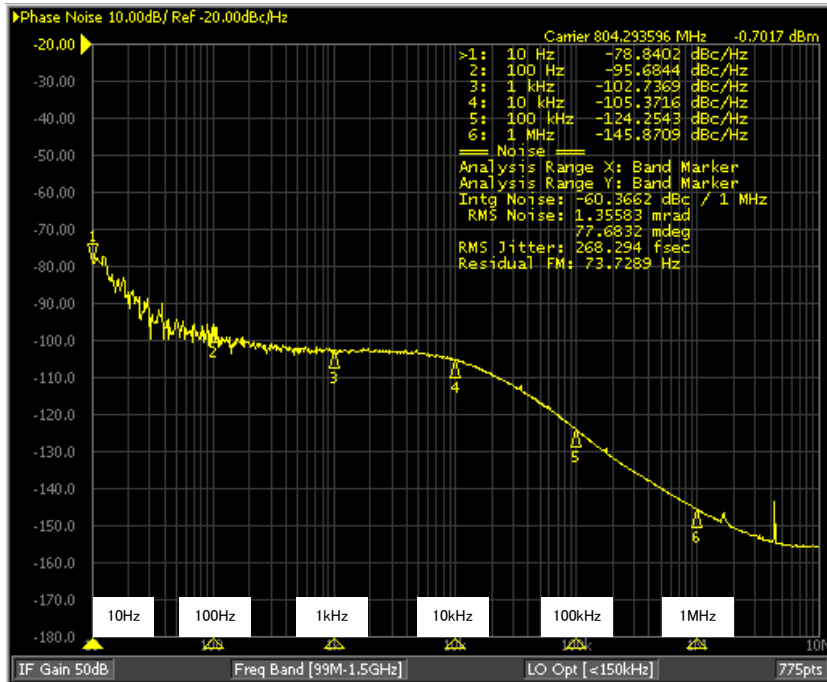


Output Frequency : 510.292857MHz



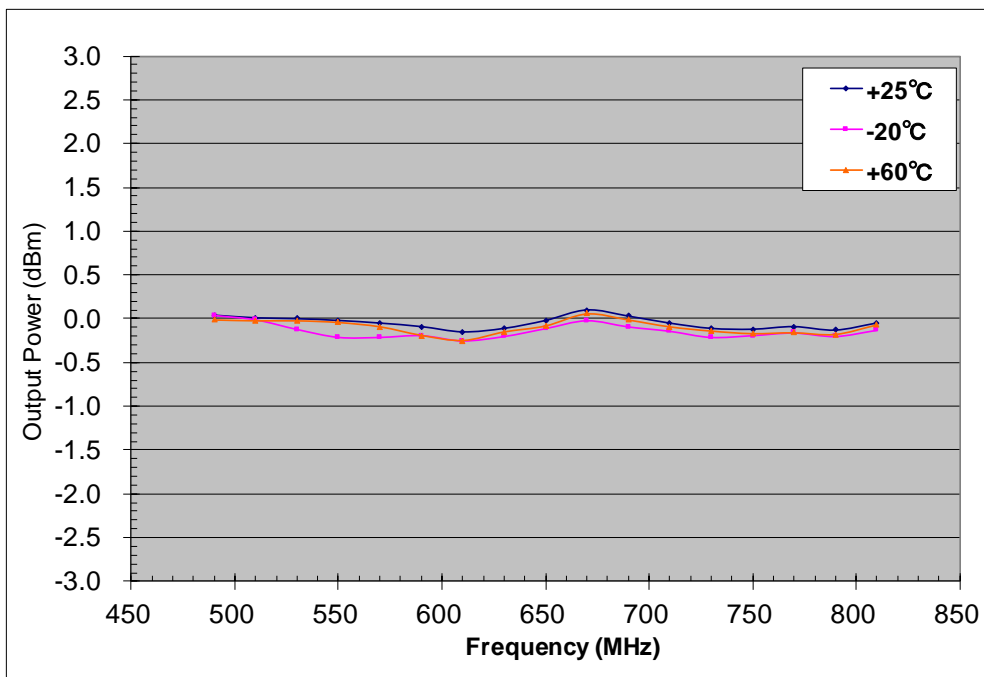
Output Frequency : 654.292857MHz

Phase Noise (Ta=25°C)



Output Frequency : 804.292857MHz

Output Power



6. Notes on use

6-1 Even if the appearance color etc. of the product differs by purchasing the component parts by more than two companies, there is no influence on the characteristics and reliability.

6-2 IN THE CASE OF THE FOLLOWING ITEMS, WE ARE NOT RESPONSIBLE FOR WARRANTY / COMPENSATION.

(1) WHEN PRODUCTS OF THIS SPECIFICATION ARE USED FOR EQUIPMENT RELATED TO HUMAN LIFE OR PROPERTY, IT IS THE RESPONSIBILITY OF THE CUSTOMER TO CONFIRM THE INFLUENCE ON THIS PRODUCT AND EQUIPMENT TO BE USED BEFOREHAND, CONDUCT NECESSARY SAFETY DESIGN (INCLUDING REDUNDANT DESIGN, MALFUNCTION PREVENTION DESIGN, etc.), AND PLEASE USE IT AFTER SECURING SUFFICIENT SAFETY OF EQUIPMENT.

1. SAFETY-RELATED EQUIPMENT SUCH AS AUTOMOBILES, TRAINS, SHIPS, etc., OR EQUIPMENT DIRECTLY INVOLVED IN OPERATION
2. AIRCRAFT EQUIPMENT
3. SPACE EQUIPMENT
4. MEDICAL EQUIPMENT
5. MILITARY EQUIPMENT
6. DISASTER PREVENTION / CRIME PREVENTION EQUIPMENT
7. TRAFFIC LIGHT
8. OTHER EQUIPMENT REQUIRING THE SAME PERFORMANCE AS THE ABOVE-MENTIONED EQUIPMENT

(2) IN CASES WHERE IT IS NOT INDICATED IN THE REQUESTED STANDARD AND IS USED UNDER CONDITIONS OF USE (INCLUDING CIRCUIT MARGIN etc.) THAT CAN NOT BE PREDICTED AT THE PRODUCTION STAGE.

(3) WHEN PERFORMING IMPROPER HANDLING THAT EXCEEDS THE GUARANTEED RANGE.

(4) ANY MODIFICATION, ADJUSTMENT, OR REPAIR THAT WE DO NOT PERMIT.
(INCLUDING CASES WHERE THE DISASSEMBLY PROHIBITION SEAL HAS BEEN REMOVED.)

6-3 The following items are notes when installing this product. To ensure safety and performance, please be sure to observe the following items:

- (1) Do not use in a flammable atmosphere. Do not use near flammable substances such as alcohol or thinner or in an atmosphere that may cause an explosion or fire.
- (2) Avoid places where the temperature is high or where it is exposed to direct sunlight.
Do not set near heat generating or heating equipment or in places where the temperature changes rapidly.
- (3) Avoid places with high humidity.
Do not set the product in a humid place such as a water heater, humidifier, or near a water supply.
- (4) The humidity range : 90%RH or less. (However, there should be no condensation.)
Condensation may occur even within the operating humidity range. In that case, please do not use

the product until it is completely dry. It may cause a short circuit due to condensation, causing an overcurrent to flow or an electric shock.

- (5) Do not install in a corrosive atmosphere.

Do not install in a corrosive gas atmosphere or in an environment where there is a lot of sulfuric acid mist. This may cause corrosion inside the product and poor connector contact, resulting in malfunction or failure.

- (6) Do not install in a dusty or dusty place.

Dust and dust may cause electric shock and fire.

- (7) Do not install the unit on a tilted or vibrating place.

Dropping or falling may cause damage or injury.

- (8) Do not install it in a place with poor ventilation.

Do not block the exhaust port of the device. If the heat is trapped, the malfunction of constant temperature control will occur and accurate measurement may not be possible.

- (9) Do not use in locations where there is a strong magnetic field or electric field, or where there is waveform distortion or power supply noise of the input power supply.

- (10) Do not place objects on the product. Placing a heavy object may cause a malfunction.

6-4 The following items are notes when transporting this product. Please always observe to ensure safety and performance

- (1) Turn off the power. Moving the product with the power on may cause electric shock or damage.

- (2) Remove all connected cables.

Moving without removing the cables may cause injury due to deformation, disconnection, or falling.

- (3) Do not apply vibration or impact while moving. It may cause equipment failure.

When transporting the equipment, move it as much as possible by using the original packaging box and packing materials.

7. Notes on storage

7-1 When storing the product in high temperature and high humidity condition for a long time, product characteristics and packaging condition may be deteriorated. Please store product at temperature + 5 °C to + 35 °C, humidity 85% RH or less. The product is an electronic component, so please do not storage and use, under a dewing state.

7-2 The product storage deadline is 12 months after delivery in unopened state. Please use within storage deadline. If you exceed storage deadline, please check the product characteristics etc, please use.

8. Other Requests

8-1 Do not disassemble or modify this product.

Never peel off the non-disassembly seal.

8-2 Please use this specification only for confirmation of the specification of this product.

8-3 If there is a change request, please contact within three weeks from issue date. If there is no communication, we will deliver the product under the contents of this specification. In addition, if the product delivery date is within 3 weeks and there is a change request, we will consult the processing separately.

8-4 NOTES THAT ARE DESCRIBED IN THIS DOCUMENT, IF YOU DID NOT COMPLY WITH THE PROHIBITIONS, AND OTHER PLEASE, INCLUDING THE FAILURE CORRESPONDENCE OR COMPENSATION OR DAMAGES, WE CAN NOT ASSUME THE RESPONSIBILITY, PLEASE UNDERSTAND.

9. Warranty policy

(1) Warranty details and period

THE WARRANTY PERIOD IS ONE YEAR FROM DELIVERY.

IF A MALFUNCTION OCCURS IN ACCORDANCE WITH THIS SPECIFICATION, IT WILL BE REPAIRED FREE OF CHARGE IN ACCORDANCE WITH THE ORGANIZATION AND CONDITIONS INDICATED IN THIS DOCUMENT.

IN ADDITION, NO WARRANTY OTHER THAN THOSE DESCRIBED IN THIS SPECIFICATION WILL BE PROVIDED.

(1) Warranty exceptions

THE FOLLOWING CASES WILL BE EXCLUDED FROM THE WARRANTY EVEN DURING THE WARRANTY PERIOD.

- FAILURE / DAMAGE DUE TO INCORRECT USE OTHER THAN SHOWN IN THE SPECIFICATIONS.
- FAILURE / DAMAGE DUE TO MODIFICATIONS, ADJUSTMENTS, AND REPAIRS NOT APPROVED

BY

THE COMPANY.

- FAILURE / DAMAGE DUE TO FORCE MAJEURE SUCH AS FIRE AND NATURAL DISASTERS.
- FAILURE / DAMAGE WHEN USED BEYOND THE OPERATING AND OPERATING CONDITIONS SPECIFIED IN THE SPECIFICATIONS.
- FAILURE / DAMAGE WHEN THE PRODUCT IS USED OUTSIDE THE NORMAL OPERATING ENVIRONMENT.
(FOR EXAMPLE, WHEN CORROSIVE GAS, DUSTY ENVIRONMENT, HUMID ENVIRONMENT, CORROSION OF ELECTRICAL CIRCUIT, DETERIORATION OF PARTS IS ACCELERATED)
- AFTER PURCHASE, FALL, OR FAILURE / DAMAGE DURING TRANSPORTATION.
- INDIRECT DAMAGES INCLUDING LOSS OF EXPECTED PROFITS DUE TO VIOLATION OF PERFORMANCE OF DEFECTS AND PRODUCT MANUFACTURERS.

(3) Items to be observed by customers

- Use of the equipment in the usage and maintenance methods shown in the specification.

Handling of this document and other requests

Please refer to the " Site Guidance" on our website for the handling of information contained in this document. (<https://www.ndk.com/en/terms/>)