

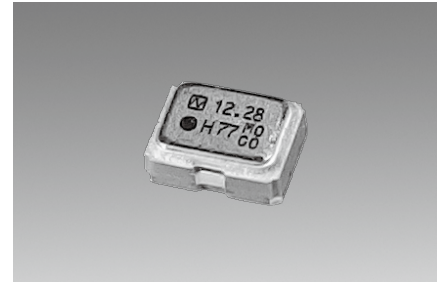
Crystal oscillator for 5G

NZ1612SH

Standard Type

Application

For 5G compatible device
 For Smartphone, Wireless LAN, WiMAX, Bluetooth
 For Wearable devices



Features

- Ultra compact and light. Dimensions : 1.6 x 1.2 x 0.6 mm, weight : 0.01 g.
- Low phase jitter
- Taped units enable automatic mounting IR Reflow (lead free) is possible.
- Lead-free.

Pb Free

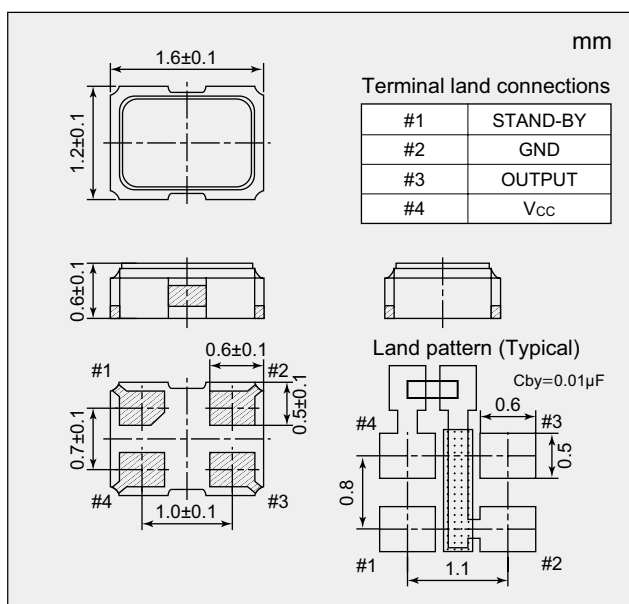
RoHS Compliant
 Directive 2011/65/EU
 Directive (EU) 2015/863

Absolute maximum rating
 Supply Voltage (V_{CC}) -0.3 to +4.0 V
 Storage Temperature Range -55 to +125 °C

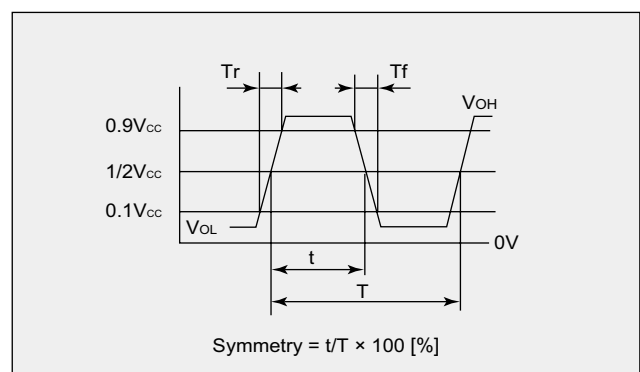
Specifications

Item	Model	NZ1612SH		
Output Specification		CMOS		
Nominal Frequency Range	(MHz)	25		
Overall Frequency Tolerance	($\times 10^{-6}$)	± 50	± 50	± 25
Operating Temperature Range	(°C)	-40 to +105	-40 to +85	-20 to +70
Supply Voltage	(V)	+1.8 to +3.3		
Current Consumption Max.	During Operation	+25 °C	(mA)	
	During Standby	+25 °C	(μA)	
V _{OL} Max. / V _{OH} Min.	(V)	0.1 V _{CC} / 0.9 V _{CC}		
Tr Max. / Tf Max.	(ns)	6 / 6 (at 0.1 V _{CC} to 0.9 V _{CC})		
Symmetry Min. to Max.	(%)	45 to 55 (at 0.5 V _{CC})		
Load (C _L) Max.	(pF)	15		
Start-up Time Max.	(ms)	4		
Standby function		Available (Three-state)		

Dimensions



Output Waveform <CMOS>



Standby Function

#1 Input	#3 Output
Level H ($0.7 V_{CC} \leq V_{IH} \leq V_{CC}$) or OPEN is selected.	Oscillation output ON
Level L ($V_{IL} \leq 0.3 V_{CC}$) is selected.	High impedance

Contact Us

Standard catalog specifications are listed for the products listed. Custom is available upon request.
 Mail : 5g-sl@ndk.com