

Crystal Oscillator

NT1612AA

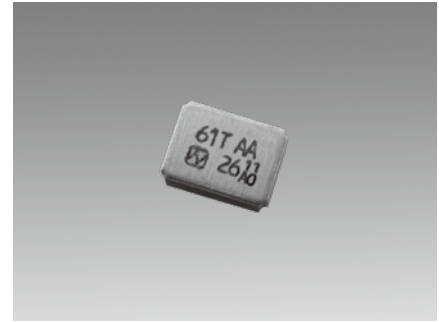
Temperature Compensated Crystal Oscillator(TCXO)
for high-precision GPS

Main Application

Smartphone / Mobile phone, Wireless module, and GPS / GNSS module, etc.

Features

- A crystal oscillator with highly stable frequency / temperature characteristics best suited for GPS.
- Supports low power supply voltage.
(Supports DC +1.68V to +3.63V. Standard specification : +1.8V)
- Ultra-compact and light with a height, cubic volume, and weight of Max. 0.55 mm, 0.0011 cm³, and 0.004 g, respectively.
- A surface-mount crystal oscillator. (Reflow soldering is possible.)
- Lead-free. Meets the requirements for re-flow profiling using lead-free solder.
- With an AFC (Automatic Frequency Control) function. (Option)



Pb Free

RoHS Compliant
Directive 2011/65/EU
Directive (EU) 2015/863

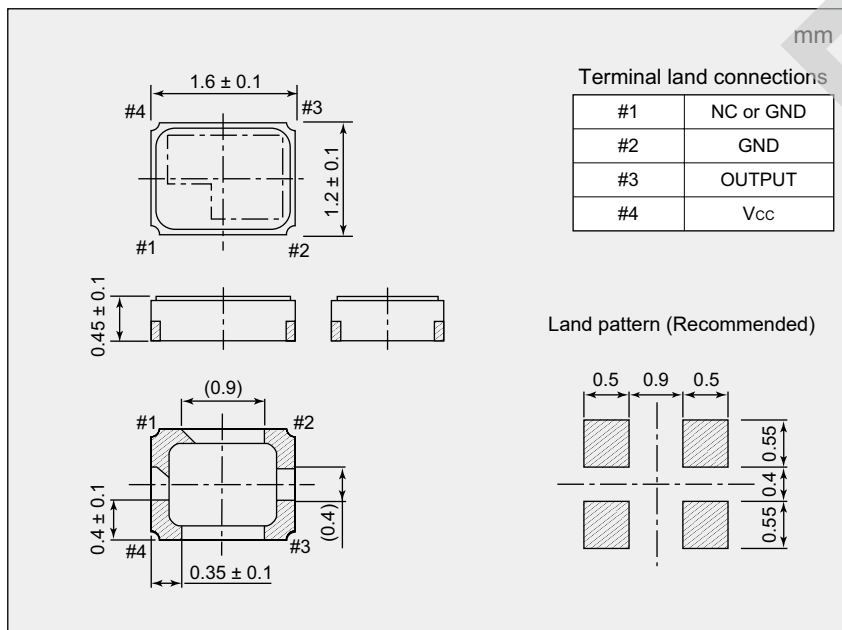
Specifications

Item	Model	NT1612AA
Nominal Frequency Range (MHz)		26 to 52
Standard Frequency (MHz)	26	52
Supply Voltage [V _{cc}] (V)		+1.8
Load Impedance		10 kΩ//10 pF
Current Consumption (mA)	Max. 1.5	Max. 2.0
Output Voltage		Min. 0.8 V(p-p) (DC Coupling *1)
Frequency/Temperature Characteristics		Max. $\pm 0.5 \times 10^{-6}$
Operating Temperature Range (°C)		-30 to +85
Storage Temperature Range (°C)		-40 to +85
Frequency/Voltage Coefficient		Max. $\pm 0.1 \times 10^{-6} / +1.8 \text{ V} \pm 5 \%$
Frequency/Load Coefficient		Max. $\pm 0.1 \times 10^{-6} / (10 \text{ k}\Omega // 10 \text{ pF}) \pm 10 \%$
Long-term Frequency Stability		Max. $\pm 1.0 \times 10^{-6} / \text{year}$
Specification Number	NSC5075A	NSC5075B

* Frequency setting conditions : Frequencies are set at normal temperatures (+25±2 °C).

*1. A DC-cut capacitor is not embedded in this crystal oscillator. Connect a DC-cut capacitor (1,000 pF) to the line-out terminal of the oscillator.

Dimensions



Please specify the model name, frequency, and specification number when you order products.
For further questions regarding specifications, please feel free to contact us.