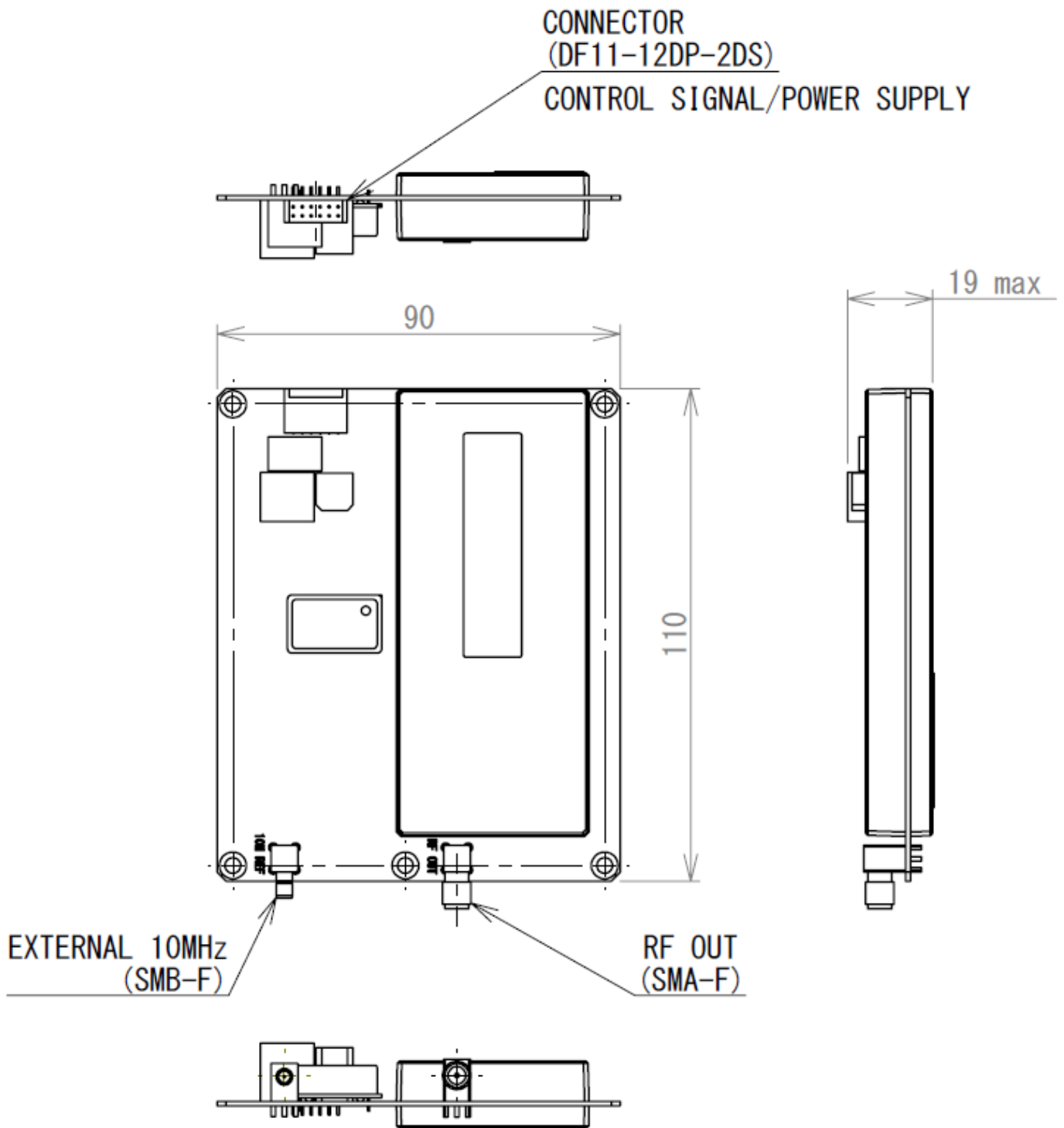


<S2R0G3R0GA Dimension of External>



UNIT : [mm]