

NH47M47LA

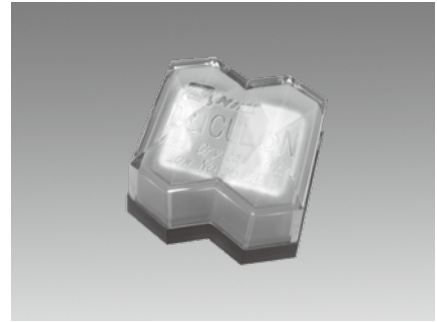
High Precision Oscillator (Twin-DCXO)
For Audio equipment

Main Application

- High-resolution high-quality audio equipment

Features

- Low phase noise make this product ideal for High sound quality audio equipment.
Ultra low phase noise Typ. -171 dBc / Hz @ 100 kHz offset
- Bipolar Driver output that can drive CMOS-IC directly.
- Frequency :45.1582MHz (CD sound source system) and 49.152MHz (DVD sound source system)

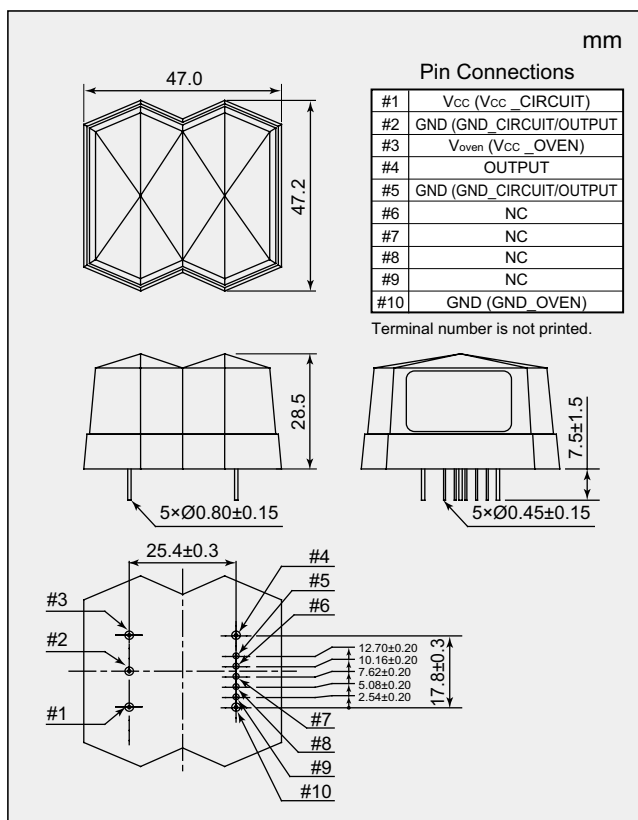


RoHS Compliant
Directive 2011/65/EU

Specifications

Item	Model	NH47M47LA	
Nominal Frequency f_{nom} (MHz)		45.1584	49.152
Supply Voltage	V_{CC} (V)	+5V±5%	
	V_{OVEN} (V)	+5V±5%	
Operating Temperature Range T_{CC} (°C)		0 to +50	
Storage Temperature Range T_{OVEN} (°C)		-10 to +60	
Current Consumption	I_{CC} (mA)	Max. 60	
	I_{OVEN} (mA) at start, at +25 °C	Max. 740	
	I_{OVEN} (mA) when stable, at +25 °C	Max. 210	
Frequency Tolerance $\Delta f/f_{nom}$		Max. 5×10^{-6}	
Output		Bipolar Driver	
Specification Number		NSA3647C	

Dimensions



Reference Value

	Offset Frequency	dBc/Hz (typ.)
Phase Noise (at 45 MHz)	1 Hz	Typ. -91
	10 Hz	Typ. -122
	100 Hz	Typ. -148
	1 kHz	Typ. -164
	10 kHz	Typ. -169
	100 kHz	Typ. -171
	1 MHz	Typ. -171

We offer dedicated tool (charge) for evaluation of this product

Please specify the model name, frequency, and specification number when you order products.
For further questions regarding specifications, please feel free to contact us.