

NP3225SCD

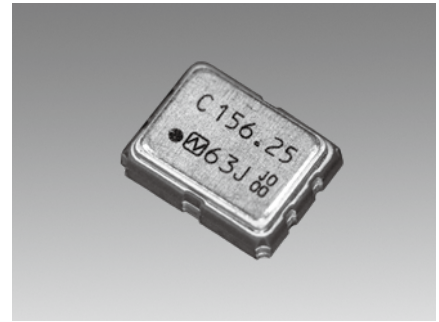
Simple Packaged Crystal Oscillator (SPXO)

■ Main Application

For Computer, GPS for Automotive navigation system (PCIe) and Amusement equipment (PCIe)

■ Features

- Differential Output SPXO
- Compact dimension : 3.2 × 2.5 × 0.9 mm
- Overall Frequency Tolerance Max. $\pm 25 \times 10^{-6}$ at -40 to $+85^\circ\text{C}$
- Supply Voltage : +3.3V
- Output Specification : HCSL
- Conforms to AEC-Q200



Pb Free

RoHS Compliant
Directive 2011/65/EU
Directive (EU) 2015/863

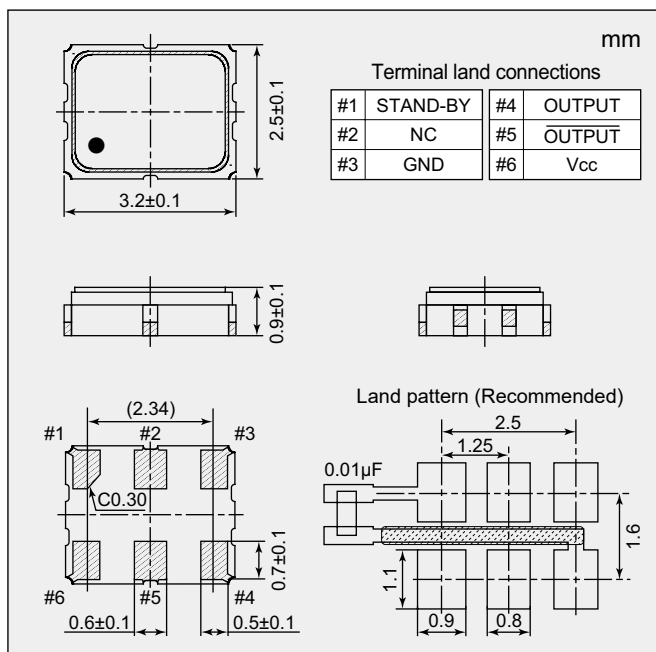
Absolute maximum rating
Supply Voltage (V_{CC}) -0.3 to $+4.0$ V
Storage Temperature Range -55 to $+125^\circ\text{C}$

■ Specifications

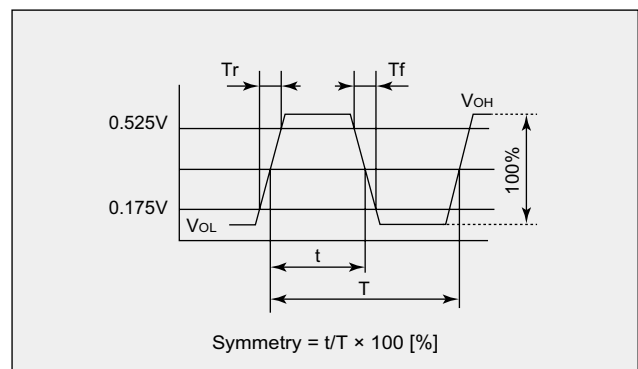
Item	Model	NP3225SCD
Output Specification		HCSL
Nominal Frequency Range (MHz)		100, 156.25
Overall Frequency Tolerance *1		Max. $\pm 25 \times 10^{-6}$
Operating Temperature Range ($^\circ\text{C}$)		-40 to $+85$
Supply Voltage [V_{CC}] (V)		$+3.3 \pm 10\%$
Current Consumption	Enable (mA)	Max. 50 (STAND-BY= V_{CC} or OPEN, $R_L=50\Omega$)
	Stand-by (μA)	Max. 15 (STAND-BY=GND)
Output Voltage (mV)		V_{OL} : -150 to $+150$ (DC characteristics)
		V_{OH} : $+580$ to $+850$ (DC characteristics)
Rise Time / Fall Time (ns)		Max. 0.5 (0.175 to 0.525V)
Symmetry (%)		45 to 55 (at 50% Waveform)
Output Load [R_L] (Ω)		50
Start-up Time (ms)		Max. 10
Phase Jitter (ps)		Max. 1 (Offset Frequency : 12kHz to 20MHz)
Specification Number		NSC5349B

*1 : The frequency stability includes initial frequency tolerance, temperature variation, and supply variation.

■ Dimensions



■ Output waveform



■ Standby Function Table (Three-state)

#1 Input	#4 and #5 output
Level H ($V_{IH} \geq 0.7 V_{CC}$) or OPEN	Oscillation output ON
Level L ($V_{IL} \leq 0.3 V_{CC}$)	High impedance

Please specify the model name, frequency, and specification number when you order products.

For further questions regarding specifications, please feel free to contact us.