

Crystal Clock Oscillator

NZ3225SH

Standard Type (32.768kHz)

Application

For Smartphone and Tablet computer etc

Features

- Compact and light. Dimensions : 3.2 x 2.5 x 0.9 mm, weight : 0.02 g.
- Quick oscillation start up time(Typ. 1ms) is available compared to our Tuning Fork Crystal.



Pb Free

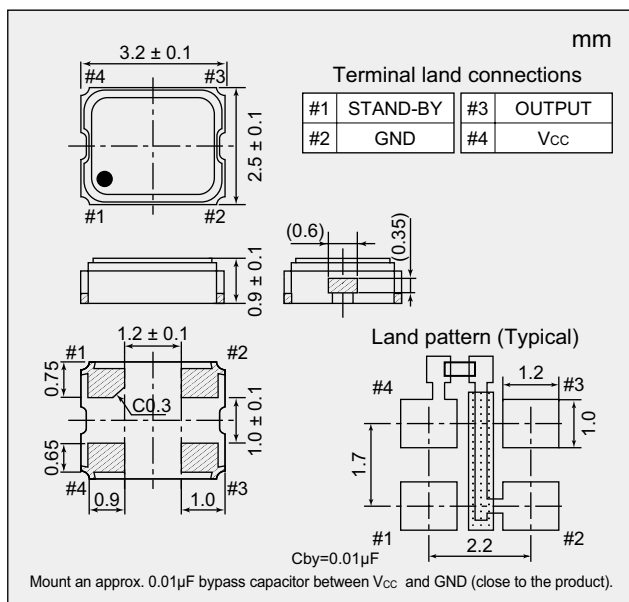
RoHS Compliant
Directive 2011/65/EU
Directive (EU) 2015/863

Absolute maximum rating
Supply Voltage (V_{CC}) -0.3 to +7.0 V
Storage Temperature Range -55 to +125 °C

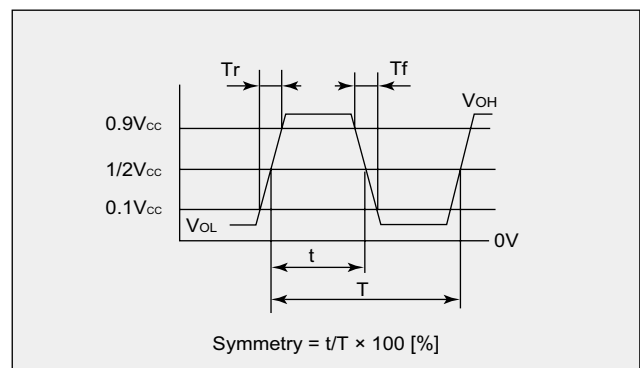
Specifications

Item	Model	NZ3225SH	
Output Specification		CMOS	
Nominal Frequency	(kHz)	32.768	
Overall Frequency Tolerance	($\times 10^{-6}$)	± 30	
Operating Temperature Range	(°C)	-40 to +85	
Supply Voltage (V _{CC})	(V)	+1.8 to +3.3	
Current Consumption Max.	During Operation +25°C	(μ A)	160 to 180
	During Standby +25°C	(μ A)	20
V _{OL} Max. / V _{OH} Min.	(V)	0.1 V _{CC} / 0.9 V _{CC}	
Tr Max. / Tf Max.	(ns)	200 / 200 (at 0.1V _{CC} to 0.9V _{CC})	
Symmetry Min. to Max.	(%)	45 to 55 (at 0.5V _{CC})	
Load (C _L) Max.	(pF)	15	
Start-up Time Max.	(ms)	4 (Typ. 1ms)	
Frequency Aging Max.	($\times 10^{-6}$)	± 5 (+25°C, First year)	
Standby function		Available (Three-state)	

Dimensions



Output Waveform <CMOS>



Standby Function

#1 Input	#3 Output
Level H ($0.7 V_{CC} \leq V_{IH} \leq V_{CC}$) or OPEN is selected.	Oscillation output ON
Level L ($V_{IL} \leq 0.3 V_{CC}$) is selected.	High impedance

Crystal Clock Oscillator



NZ3225SH

Standard Type (32.768kHz)

■ Specification Number

Overall Frequency Tolerance	Operating Temperature Range (°C)	Supply Voltage (V)			
		+1.8±0.18	+2.5±0.25	+3.0±0.3	+3.3±0.33
±30 × 10 ⁻⁶	-40 to +85	NSC5049A	NSC5049B	NSC5049C	NSC5049D

Please specify the model name, frequency, and specification number when you order products.
For further questions regarding specifications, please feel free to contact us.