

# Frequency Synthesizer

## S3R0G3R0GA

## Phase Locked Oscillator

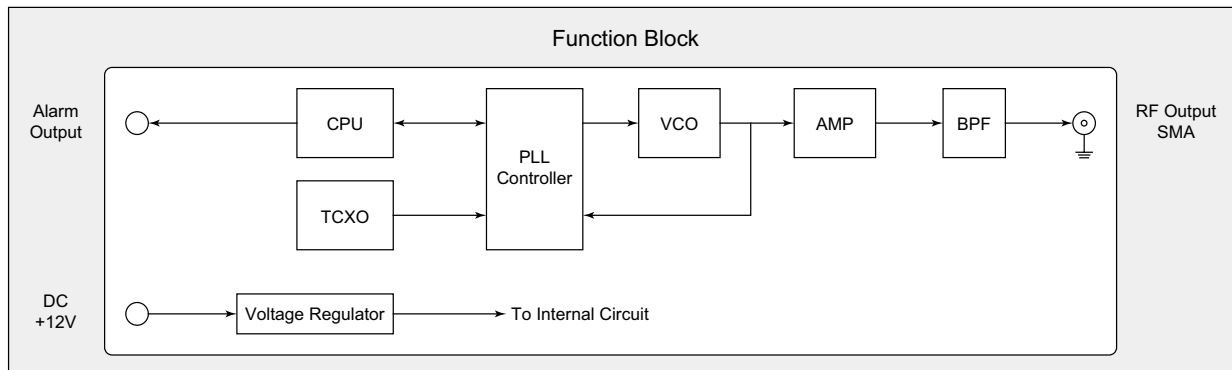
### Main Application

- Local Oscillator for Microwave Radios
- Sampling Clock for High-Speed Data Converters

### Features

- Best Suited for Local Oscillator with Low Phase Noise and Low Spurious Emission.
- Internal TCXO Reference and Compact Packages.
- Frequencies from 1GHz to 3GHz.

**RoHS Compliant**  
 Directive 2011/65/EU  
 Directive (EU) 2015/863



### Specifications

Item	Model	S3R0G3R0GA	
Output Frequency		A specified frequency from 1GHz to 3GHz	
Standard frequency		1GHz, 1.5GHz, 2GHz, 2.5GHz and 3GHz *1	
Frequency Stability		Max. $\pm 1 \times 10^{-6}$	
Phase Noise (dBc/Hz)		1GHz Output	3GHz Output
	100Hz	Typ. -95	Typ. -85
	1kHz	Typ. -106	Typ. -95
	10kHz	Typ. -106	Typ. -95
	100kHz	Typ. -122	Typ. -112
	1MHz	Typ. -146	Typ. -140
Output Level (dBm)		+7 $\pm$ 3dB	
Start-up Time (sec)		Max. 1	
Spurious Harmonics (dBc)		Max. -45 (Up to Third Order Harmonics)	
Spurious Non-harmonics (dBc)		Max. -60 (Max. 6.7GHz)	
Interface	RF Output Connector	SMA-F	
	Power Supply	M3 DC Feedthrough Capacitor	
	Alarm Output	M3 DC Feedthrough Capacitor	
Power Supply Voltage (V)		DC+12 $\pm$ 0.5	
Current Consumption (mA)		Max. 200	
Operating Temperature Range (°C)		-10 to +60	
Dimensions (L x W x H) (mm)		35 x 60 x 21 (Except for Protruding Parts)	

Please consult factory with other output frequency.

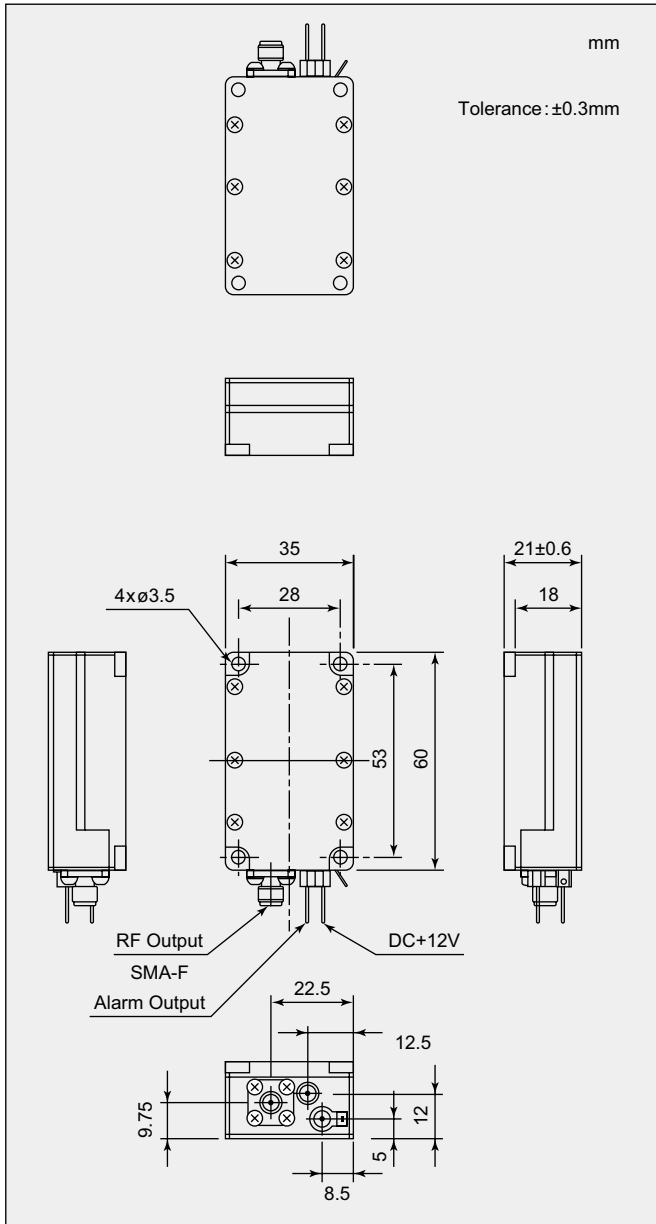
Note: All specifications subject to change without notice.

The above specifications are standard for this NDK product. If you require a product with specifications not given above, please contact NDK sales.

\*1 Model code depends on the output frequency.

Output Frequency (GHz)	Model
1	S1R0G1R0GA
1.5	S1R5G1R5GA
2	S2R0G2R0GA
2.5	S2R5G2R5GA
3	S3R0G3R0GA

### ■ Dimensions



### ■ Characteristics

