

Crystal oscillator for 5G

NZ2520SH

Standard Type

Application

For 5G compatible device
 For Automotive navigation system, Automotive audio equipment and Camera
 For Smartphone, Tablet computers, Notebook PC, PC card, etc.
 For Audioequipment and Wireless module
 For Communication equipment for SDH/SONET, WiMAX, LTE, etc. and Base station



Features

- Compact and light. Dimensions : 2.5 x 2.0 x 0.9 mm, weight : 0.02 g.
- Low phase jitter
- Taped units enable automatic mounting IR Reflow (lead free) is possible.
- Lead-free.
- Conforms to AEC-Q100/Q200.

Pb Free

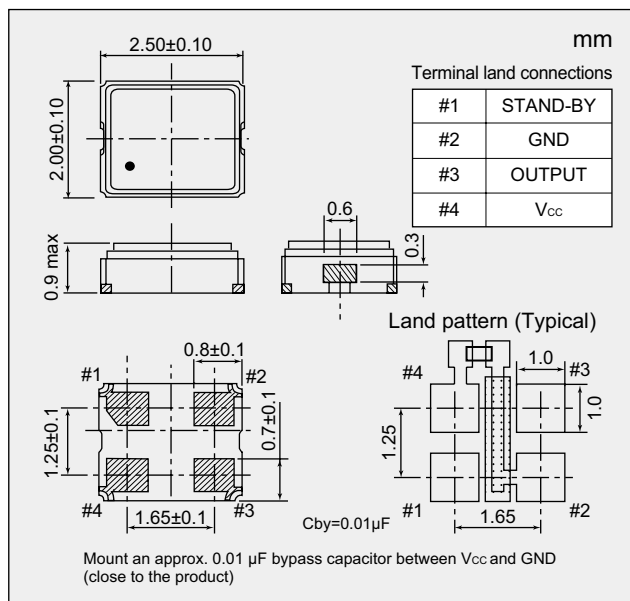
RoHS Compliant
 Directive 2011/65/EU
 Directive (EU) 2015/863

Absolute maximum rating
 Supply Voltage (V_{CC}) -0.3 to +4.0 V
 Storage Temperature Range -55 to +125 °C

Specifications

Item			Model	NZ2520SH	
Output Specification				CMOS	
Nominal Frequency Range			(MHz)	25	100
Overall Frequency Tolerance			(×10 ⁻⁶)	±50	
Operating Temperature Range			(°C)	-40 to +105	
Supply Voltage			(V)	+1.8 to +3.3	
Current Consumption Max.	During Operation	+25 °C	(mA)	4.0 to 5.0	10.5 to 16
	During Standby	+25 °C	(µA)	20	
V _{OL} Max. / V _{OH} Min.			(V)	0.1 V _{CC} / 0.9 V _{CC}	0.2 V _{CC} / 0.8 V _{CC}
Tr Max. / Tf Max.		+1.8 V	(ns)	6 / 6 (at 0.1 V _{CC} to 0.9 V _{CC})	
		+2.5 to +3.3V		5 / 5 (at 0.1 V _{CC} to 0.9 V _{CC})	
Symmetry Min. to Max.			(%)	45 to 55	
Load (C _L) Max.			(pF)	15	
Start-up Time Max.			(ms)	4	
Standby function				Available (Three-state)	

Dimensions



Standby Function

#1 Input	#3 Output
Level H (0.7 V _{CC} ≤ V _{IH} ≤ V _{CC}) or OPEN is selected.	Oscillation output ON
Level L (V _{IL} ≤ 0.3 V _{CC}) is selected.	High impedance

Contact Us

Standard catalog specifications are listed for the products listed. Custom is available upon request.
 Mail : 5g-sl@ndk.com